

# MONTERINGSBESKRIVNING

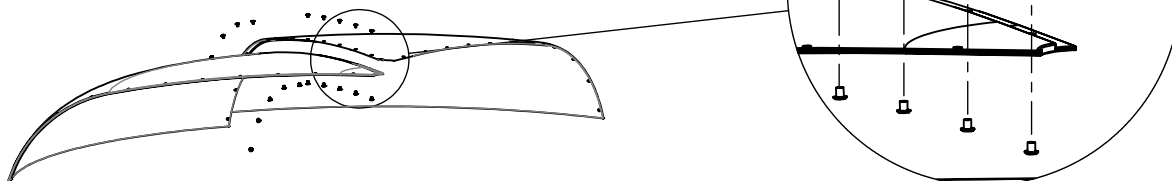
## PI CEILING HANGING HOOD

Time for assembly 60 minutes, 2 persons.  
Easiest assembled between 2 tables.

**M469-1**

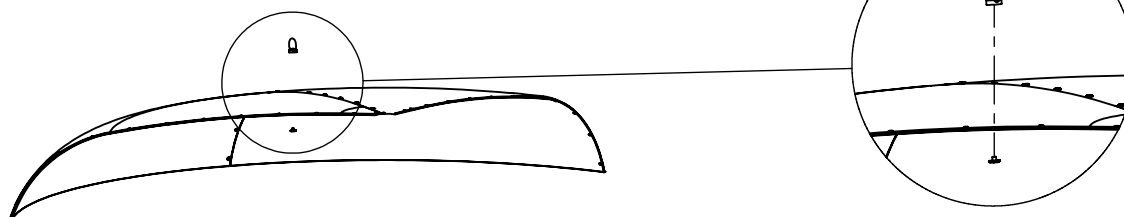
1

Put the hood parts in place. Insert the female part through both hood parts. Insert the screw with a screwdriver. The middle hole should not contain screws.



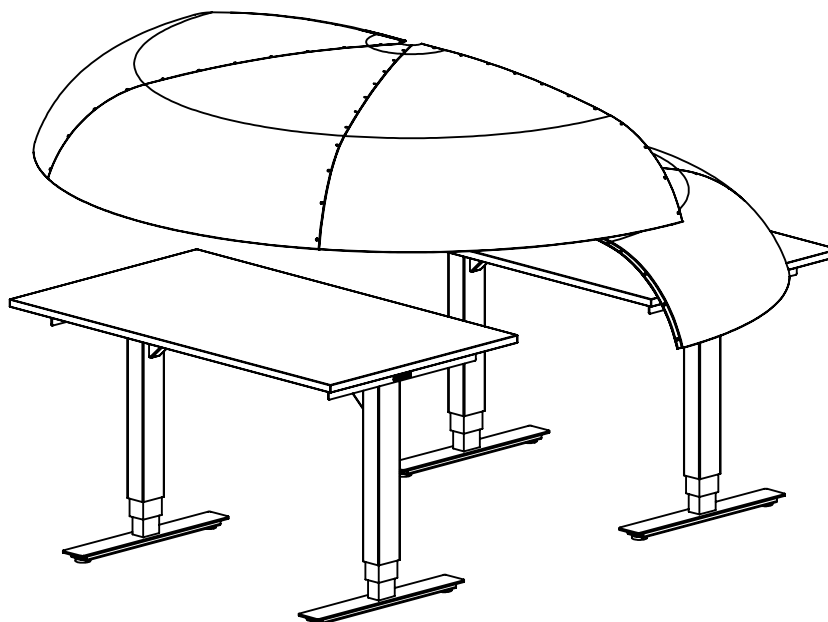
2

Insert the screw and attach it in the lifting eye. Attach the lifting eye.



3

Repeat step 1 and 2 making it two halves with three parts in each. Assemble the halves and repeat step 1 and 2.

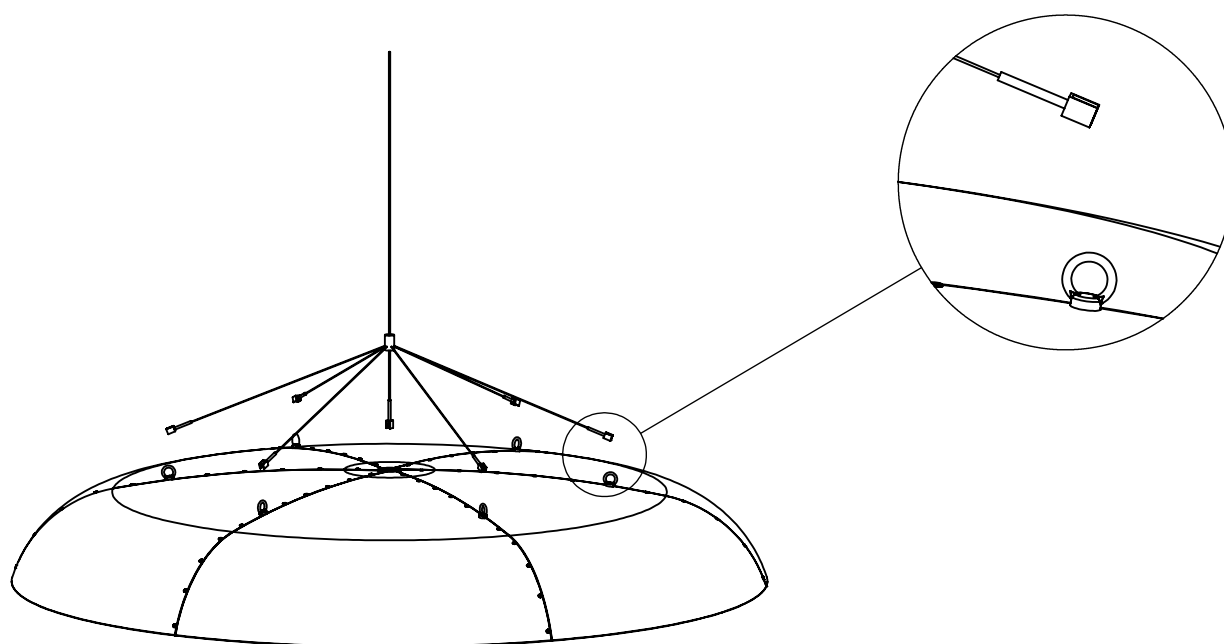


## PI CEILING HANGING HOOD

M469-1

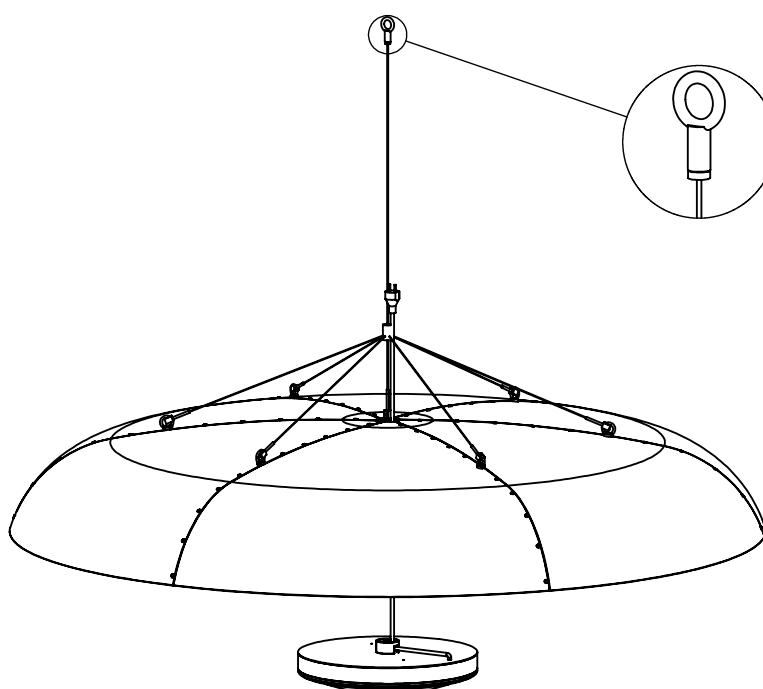
4

Place the fittings above the lifting eye.  
Insert the cotter pin and attach the  
locking ring.



5

Take the cable through the hood, then take the wire through the rubber rings  
on the cable.  
Attach the loop on the wire. Put the hood above the lamp, attach the fitting  
above the bracket on the lamp, insert the cotter sprint in the locking ring.



Loosen the wheel, insert the wire.  
Press the wheel upwards and insert  
the wire. Once the wire has the  
desired length, tighten the wheel.