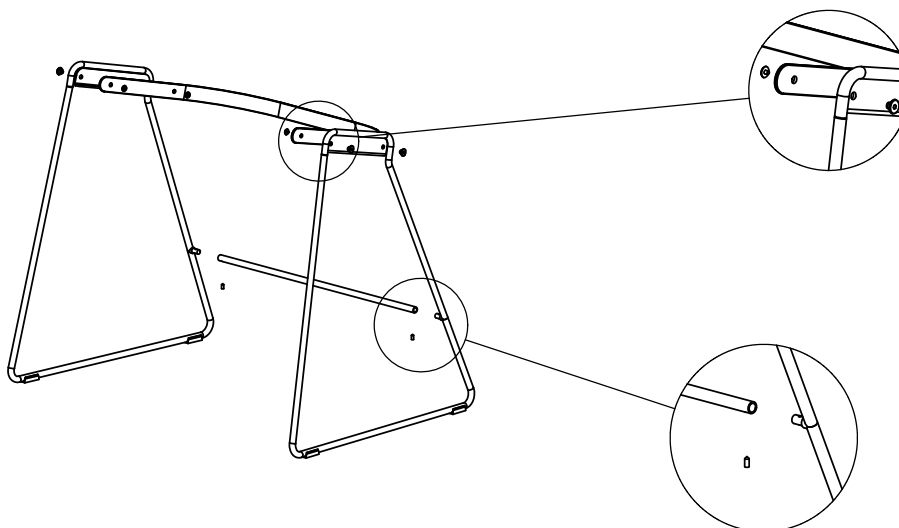


KAPPA

M470-1

1

Slip the strut onto the pin on the stative. Fixate with the stop screw.
Repeat on the other side. Attach the arc between the two statives,
screw head on the outside.
The screws should not be tightened, only gently inserted into the screw head.



2

Place the hood between the statives and the arc. Remove one screw connector,
press down the hood and make sure the holes are aligned. Fasten the removed
screw connector again.
Repeat on remaining 3 screw connectors.

