

STORAGE

# LINK

DESIGN morgan rudberg och lars pettersson

**HORREDS**<sup>®</sup>  
1936  
[www.horreds.com](http://www.horreds.com)

Elegant and thoroughly thought through functions. High or low? The storage is available in different heights and widths, depending on needs and wishes.

Basic unit in direct laminated chipboard. Doors in lacquered MDF. Back in light-pressure laminate. Shelves are fixed.

Material basic unit: Birch, oak, ash, ebonized oak, ebonized ash, white pigmented oak, white pigmented ash or white direct laminate.

Material doors: Birch, oak, ash, ebonized oak, ebonized ash, white pigmented oak, white pigmented ash, white lacquere or optional NCS.



Measurement:

B. 800/1200/1600 mm. H. 420/610/821/1100/1460 mm. D. 430 mm. Base/legs/wheelset: H. 100 mm or base palte: H. 35 mm.

# STORAGE

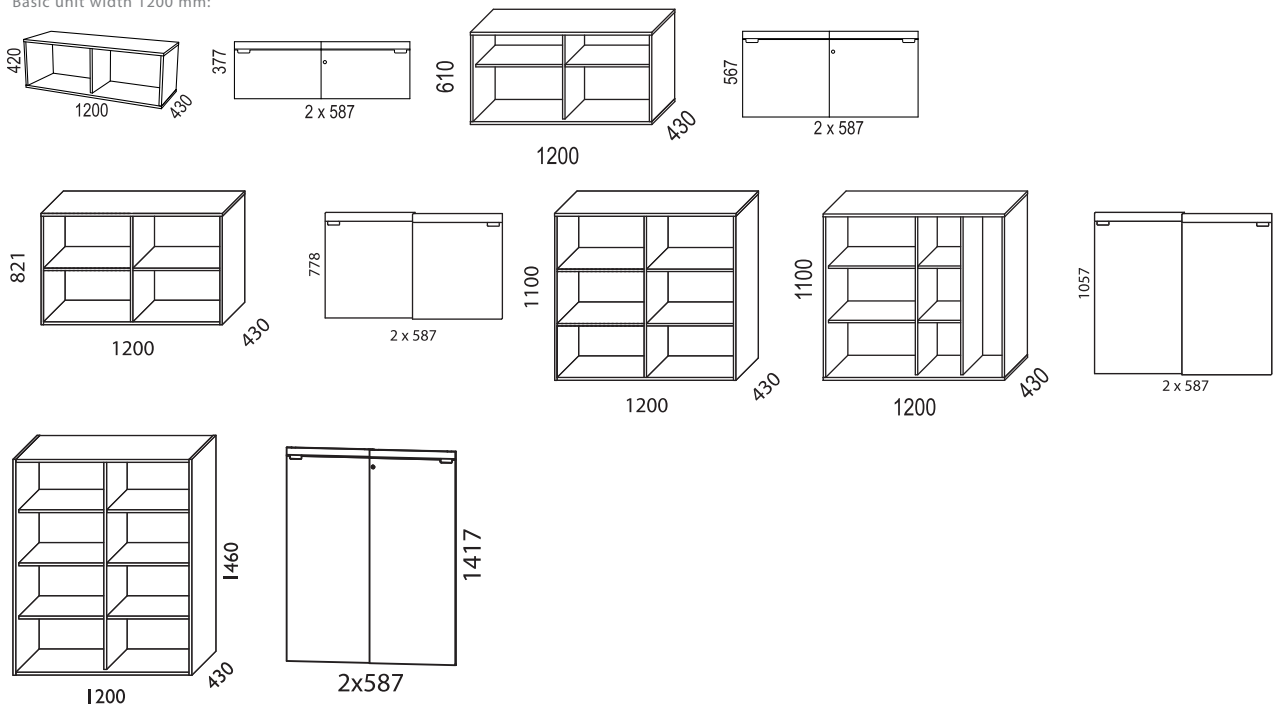


## LINK

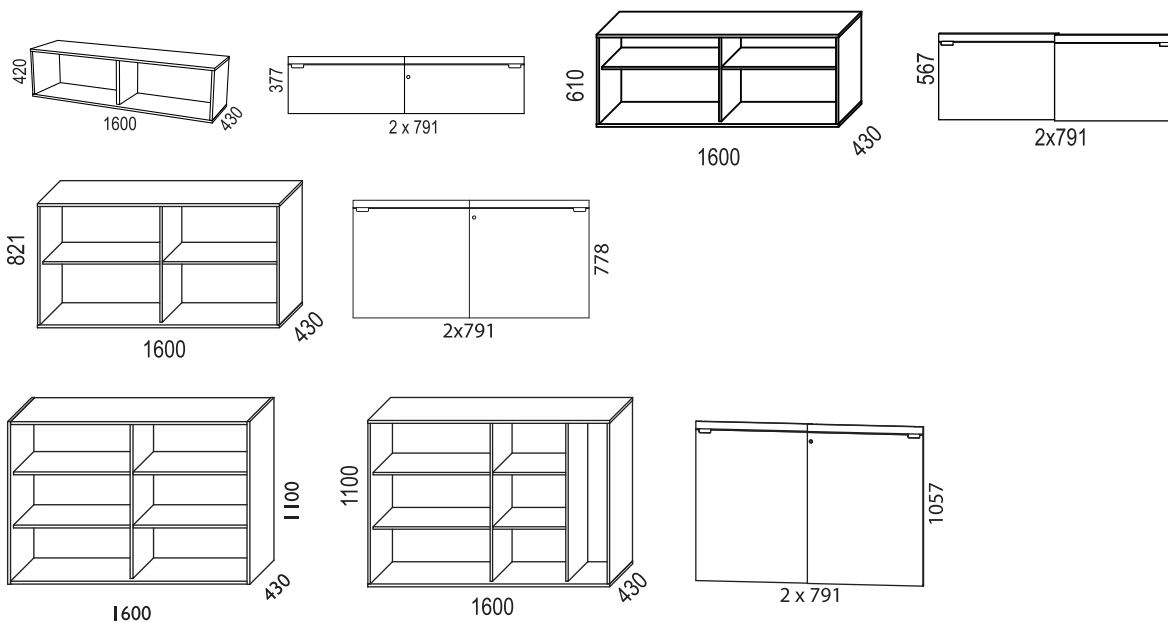
Design Morgan Rudberg & Lars Pettersson

Material basic unit: birch, ash, ebonized oak, ebonized ash, white pigmented oak, white pigmented ash or white direct laminate. Material doors: white lacquere, birch, oak, ash, ebonized oak, ebonized ash, white pigmented oak, white pigmented ash or optional NCS, back in light-pressure laminate. Fixed shelves. Fronts in optional NCS have a delivery time of 6 weeks. Black track which transcend into a handle. Colour handle: black.

Basic unit width 1200 mm:

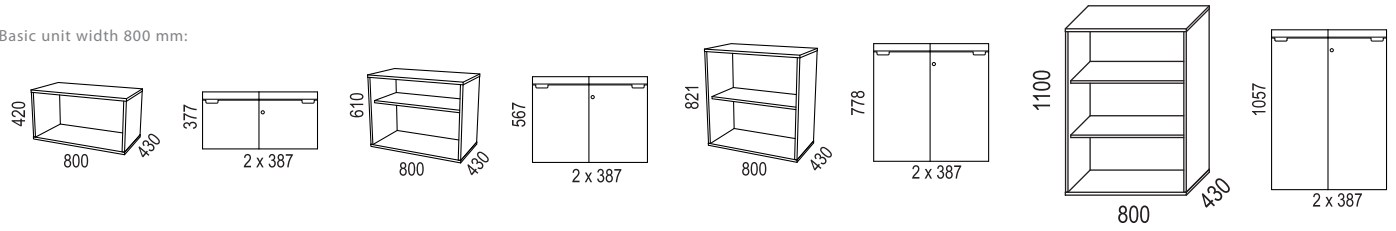


Basic unit width 1600 mm:

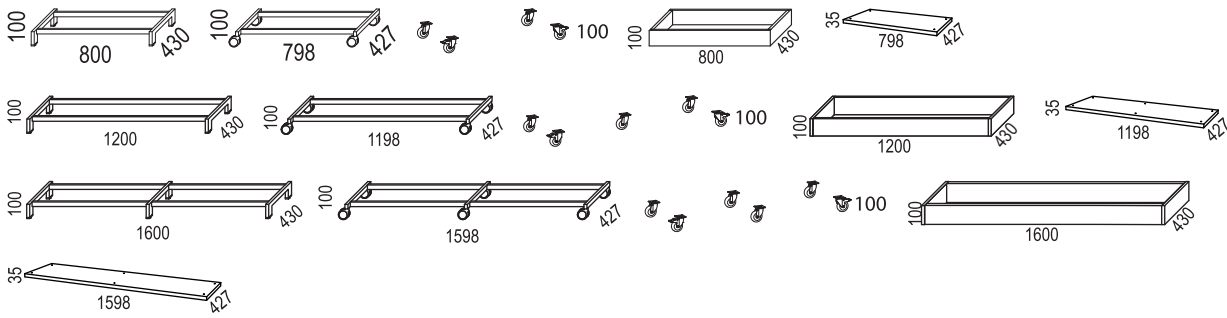


# STORAGE > LINK

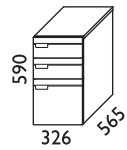
Basic unit width 800 mm:



Bases:



Side-storage:



Additions:

