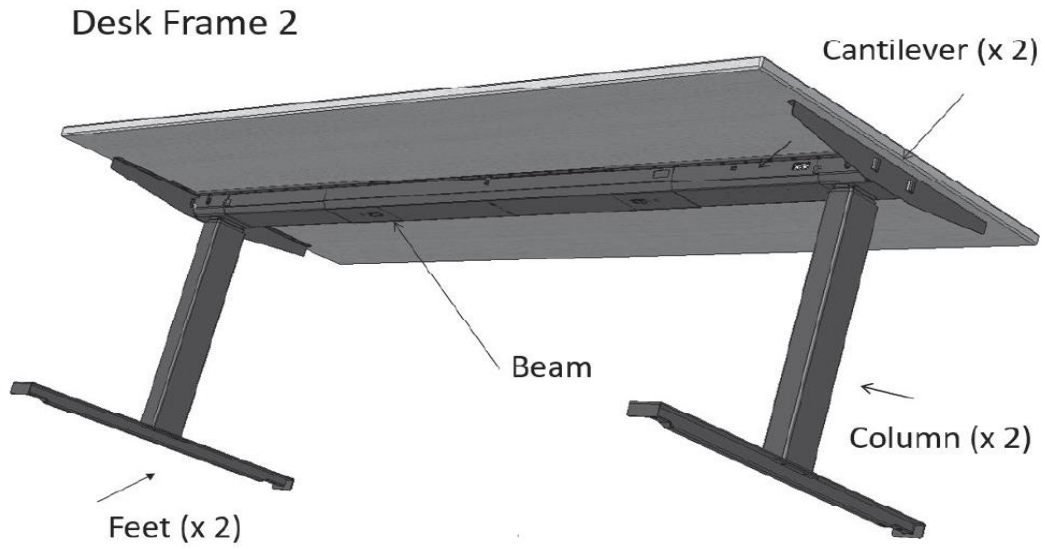


ASSEMBLY INSTRUCTION

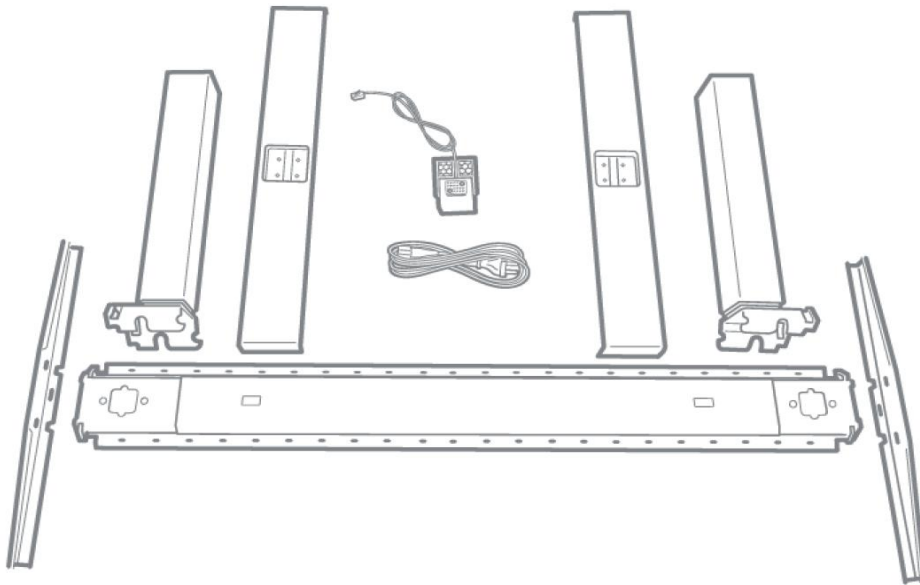


VX11 DESKFRAME

M503-1



1. Gather all parts for the desk including the tabletop.



ASSEMBLY INSTRUCTION



VX11 DESKFRAME

M503-1

2. Turn the tabletop upside down.

3. Fix the beam length.

3.1. Extend the beam to the required length (1150 mm to 1750 mm (45" to 69"), adjustable in 50 mm (2") steps).



The beam must **not** be pulled completely apart in order not to pull the drive shaft apart.

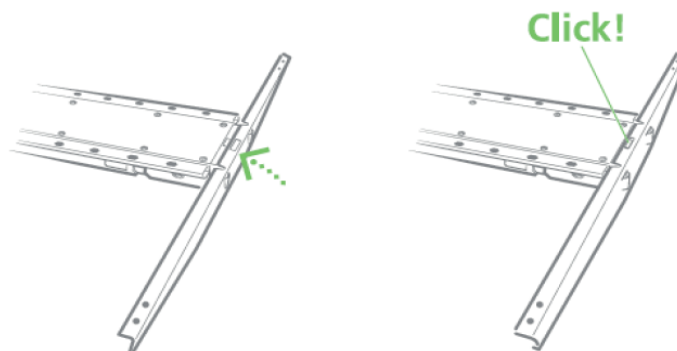


Minimum adjustment in the connection end is 100 mm (4") (to keep the power and RJ45 sockets accessible), otherwise adjustable in 50 mm (2") steps.

4. Mount the cantilevers.

4.1. Place a cantilever slightly tilted at the end of the beam.

4.2. Press the cantilever into place until a click is heard and the snap joint locks the cantilever in the correct position.



4.3. Mount the cantilever in the other end of the beam.



Check that the cantilever is placed correctly and cannot be twisted off the DF2 beam.



Do not extract the beam using the cantilevers as handles.

ASSEMBLY INSTRUCTION



VX11 DESKFRAME

M503-1

5. Place the assembled DF2 frame in the correct position.
Use a tape measure to ensure central placement of the DF2 frame.

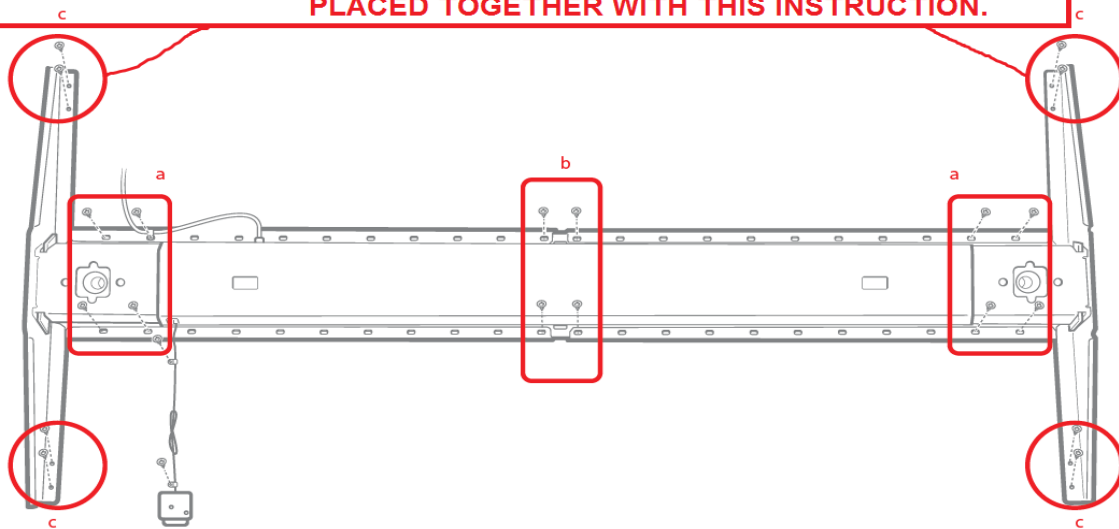
6. Fasten the DF2 frame to the tabletop using 20 mounting screws as follows:

6.a. 8 screws at the ends of the beam.

Use one of these to fix the mains cable to the beam with a cable clamp creating a cable relief, see step 9.
Connect power cable.

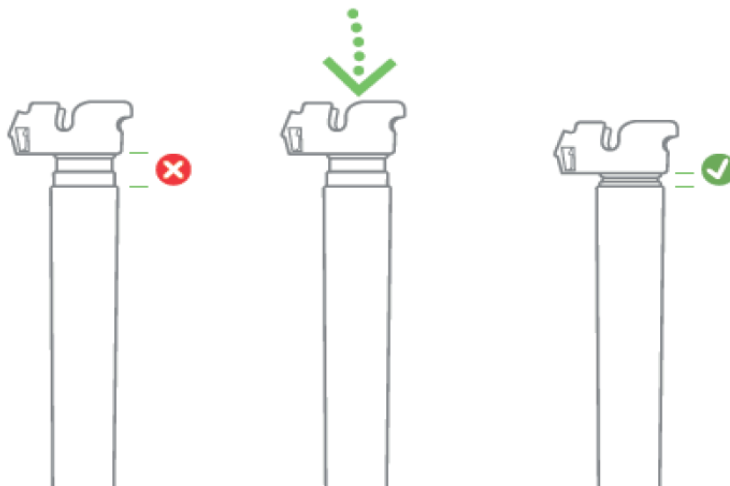
6.b. 4 screws at the extension points.

6.c. 8 screws in the cantilevers. **OBS! THESE 8 SCREWS ARE SHORTER. STRX 5,0X17 PLACED TOGETHER WITH THIS INSTRUCTION.**



7. Mount the columns.

7.1. Ensure that the columns are completely retracted.



If the column extracts when turned upside down, press by hand to completely retracted position.

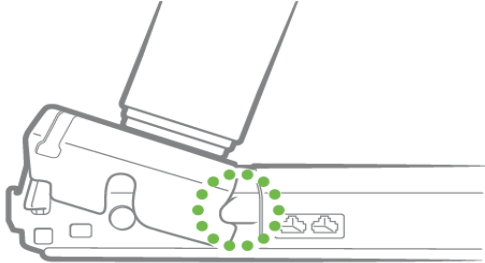
ASSEMBLY INSTRUCTION



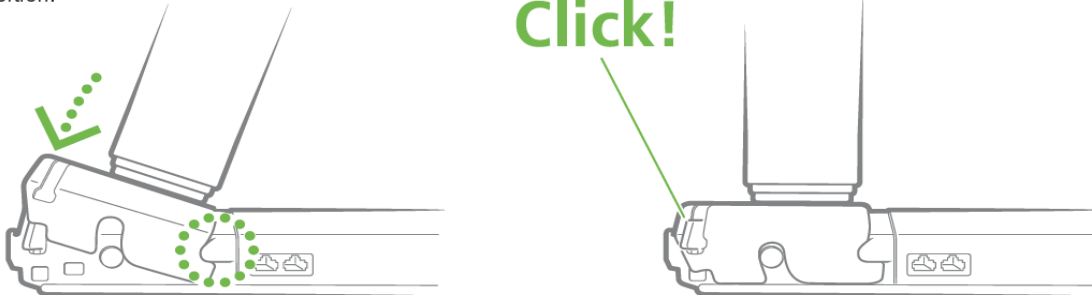
VX11 DESKFRAME

M503-1

7.2. Tilt the columns and place them correctly on the beam using the guiding notches.



7.3. Fix the column to the beam by pressing down until a "click" is heard and **both** pawls lock the column in the correct position.



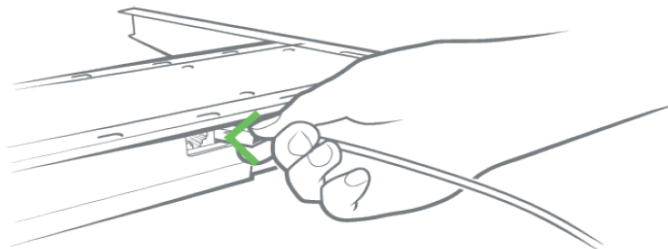
Check that both pawls are visible after mounting of the columns. Otherwise, remove the column and try again (see Disassembly, steps 4 and 5).

8. Mount the desk panel



Ensure that only one desk panel at the time is connected to the DF2.

8.1 Connect the desk panel in one of the RJ45 sockets.



8.2. Fasten the desk panel to the tabletop using the mounting screws.

8.3. Fasten the cable to the tabletop using two screws and two cable clamps.

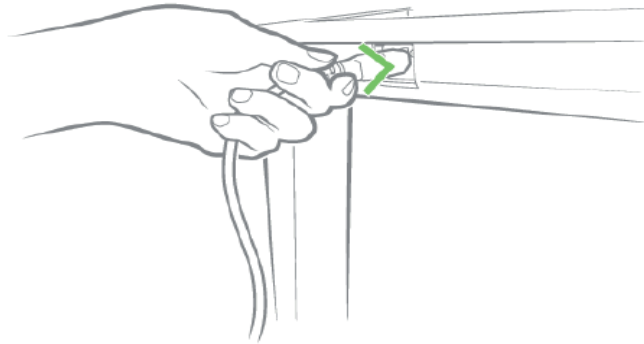
ASSEMBLY INSTRUCTION



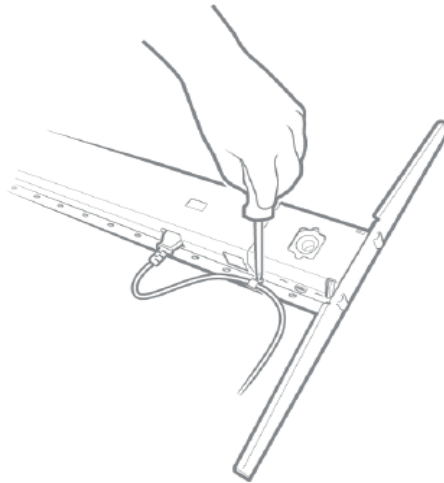
VX11 DESKFRAME

M503-1

9. Connect the power cable.

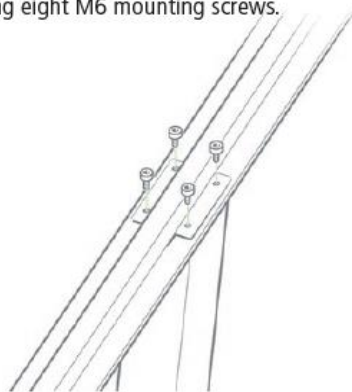


Ensure to make a cable relief using the cable clamp when fastening the cable to the tabletop.



10. Mount the feet

10.1 Mount the feet on the columns using eight M6 mounting screws.



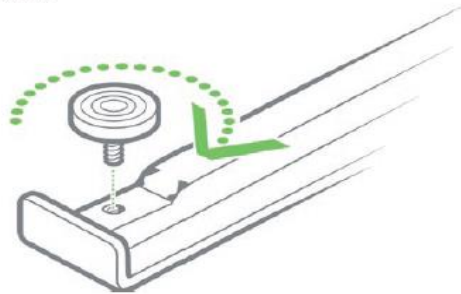
ASSEMBLY INSTRUCTION



VX11 DESKFRAME

M503-1

10.3. Mount the adjustment screws.



11. Turn the table around.

12. Connect to the mains supply.

Your desk is now ready for use.

2021-11-18