

# MONTERINGSBESKRIVNING

## SIGLO SLIDING TABLE TOP

M439-3

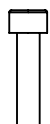
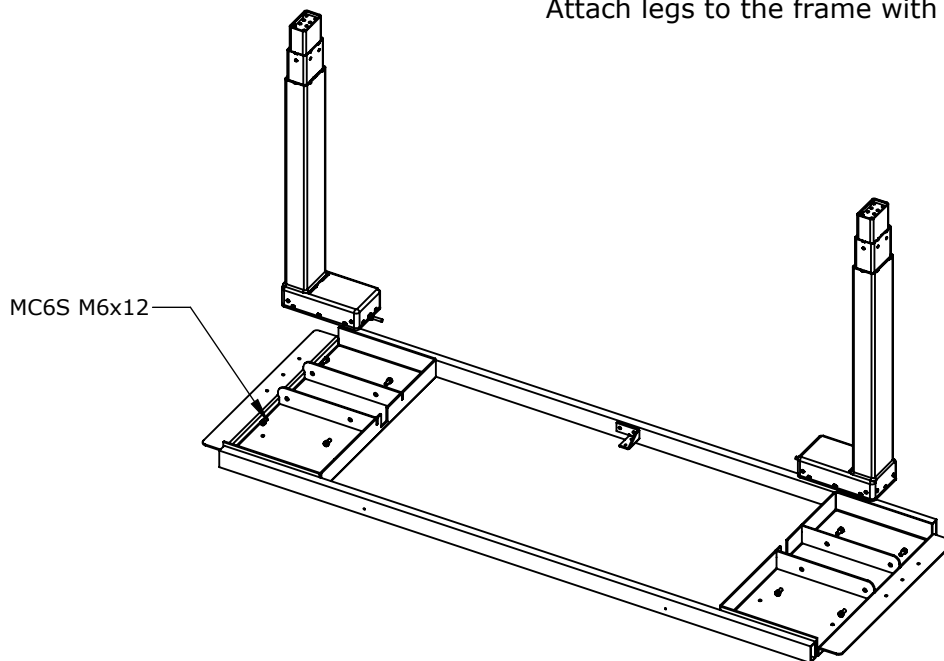
**HORR  
EDS**  
1936



MC6S M6x12 8pcs.  
Used between frame and electrical legs.

1

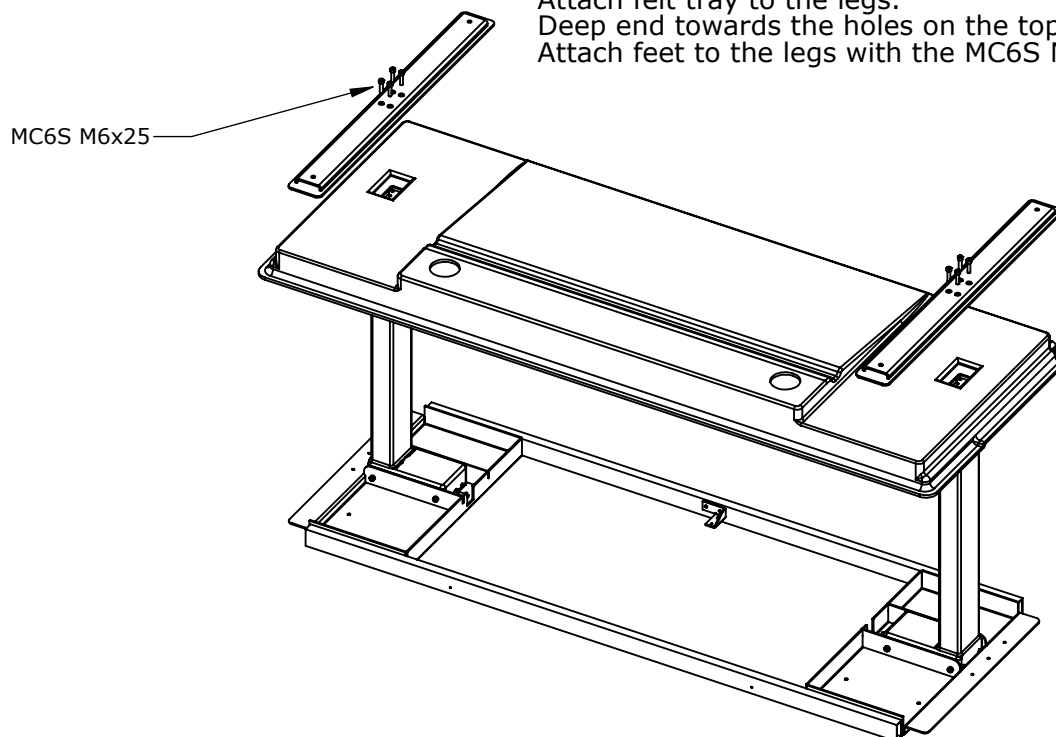
Attach motor cables to the legs.  
Attach legs to the frame with MC6S M6x12 screws.



MC6S M6x25 8pcs.  
Used between T-foot and electrical leg.

2

Attach felt tray to the legs.  
Deep end towards the holes on the top.  
Attach feet to the legs with the MC6S M6x25 screws.



## SIGLO SLIDING TABLE TOP

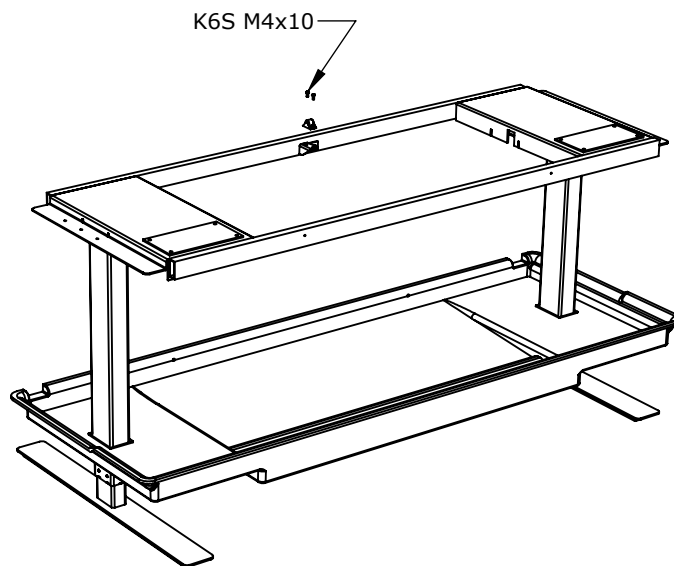
M439-3



Used between wheel and L-square.



3 Turn the table stand over.  
Attach wheel to the L-square.



STFX 4,5x45 2pcs.  
Used between transformer and table top.



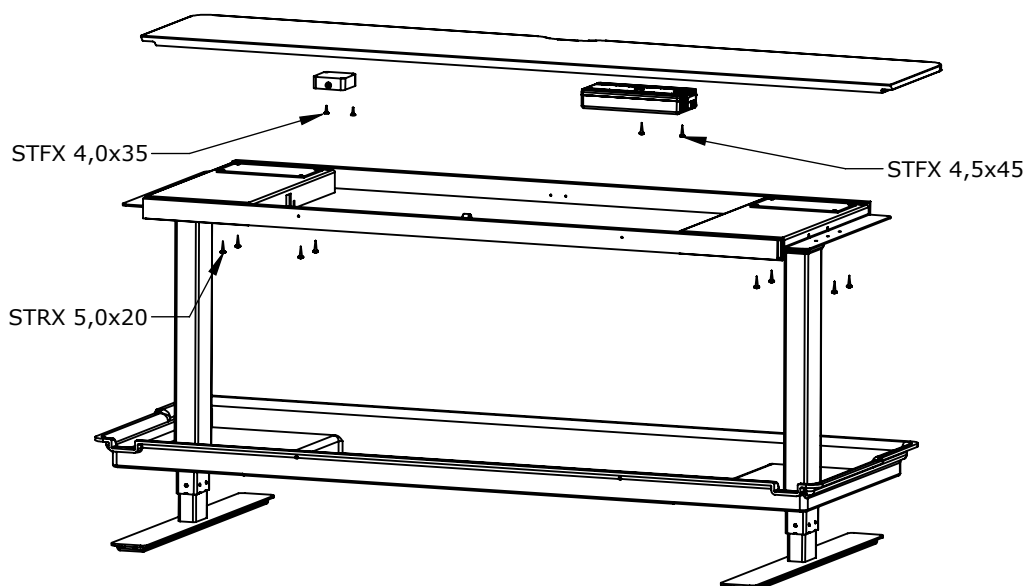
STFX 4,0x35 2pcs.  
Used between electrical lock and table top.



STRX 5,0x20 8pcs.  
Used between frame and table top.








4 Attach the transformer to the table top with the STFX 4,5x45 screw.  
\*Attach the lock to the tabletop with the STFX 4,0x35 screw..  
*See separate installation guide*  
Attach the tabletop to the stand with the STRX 5,0x20 screw.



# MONTERINGSBESKRIVNING

## SIGLO SLIDING TABLE TOP

M439-3

-  STFX 4,0x20 2pcs.  
Used between controller and table top.
-  F6S M4x10 4pcs.  
Used between expanders and fastening plate.
-  Systemskriv 6,2x13 pcs.  
Used between fastening plate and table top.
-  STFX 3,5x15 6pcs.  
Used between stop angels and table top and between locking angel and table top.
-  K6S M4x10 2pcs.  
Used between locking pin and locking angel.

5

Place tabletop with the upside down. N.B! place something under the tabletop to protect the surface.

Attach the controller with the STFX 4,0x20 screw, place cable in groove.

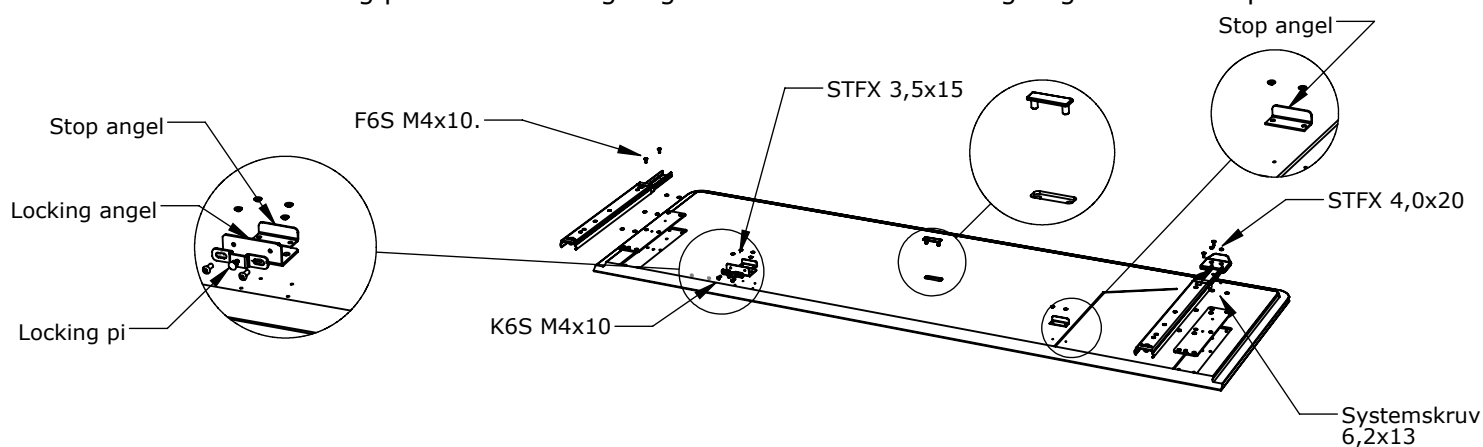
Attach rubber pieces to the stop angles and screw them to the table with the STFX 3,5x15 screws.

Attach the fastening plates with the 6,2x13 screws.

Attach expanders with the F6S M4x10. The hole at the back hooks to the pinon the fastening plate.

Apply the plastic heel.

\*Screw the locking pin to the locking angel and then screw locking angel to table top.



\*Only if the table is lockable. Lock is ordered seperately.



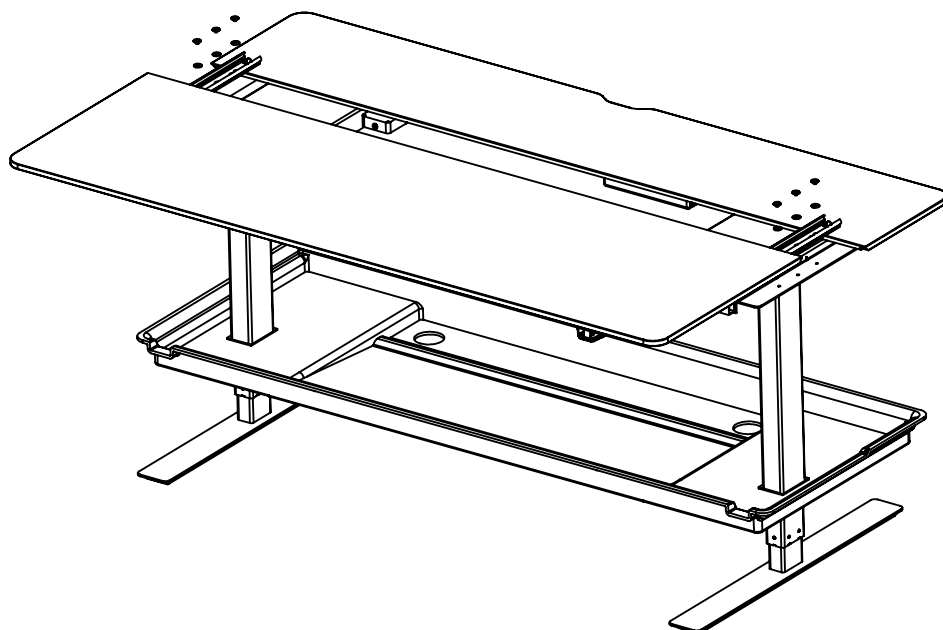
Metal plate 8,4X16X1,5 6pcs.  
Place between P6SMx12 and expanders.



P6S M6x12 6st.  
Used between expanders and stand.

6

Place tabletop on the stand. Place the metal plate over the lowered holes of the expanders. Attach the expanders to the top with the P6S M6x12 screws.



# MONTERINGSBESKRIVNING

## SIGLO SLIDING TABLE TOP

M439-3



Montageskruv 4,2x19 2pcs.  
Used between felt tray and frame..

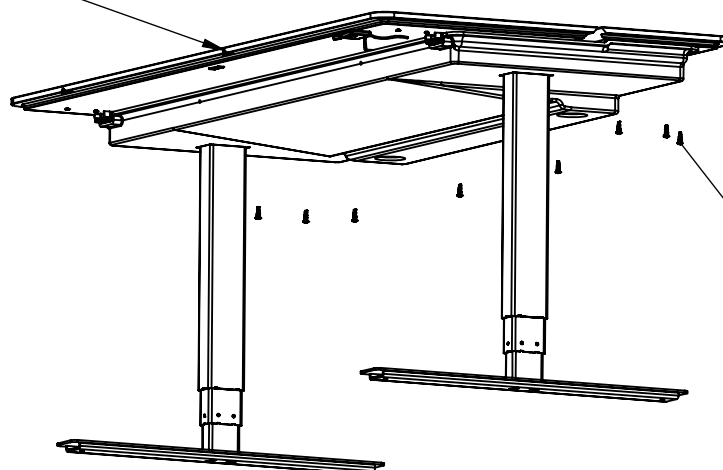


STRX 5,0x17 8pcs.  
Used between felt tray and tabletop.



Slide the felt tray up towards the tabletop.  
Attach the tray to the frame with the 4,2x19 screw.  
Attach the tray to the tabletop with the STRX 5,0x17 screw.

Montageskruv 4,2x19



STRX 5,0x17.

Use the controller to lower the table to its most bottom position and hold the button until the legs run into end stop. It will run approx. 3mm out again and then slowly run in again. Do not release the down button until the movement has stopped completely. Use the controller to raise the table to its highest position, lower it by approx 10 cm and then up again 3 times.