







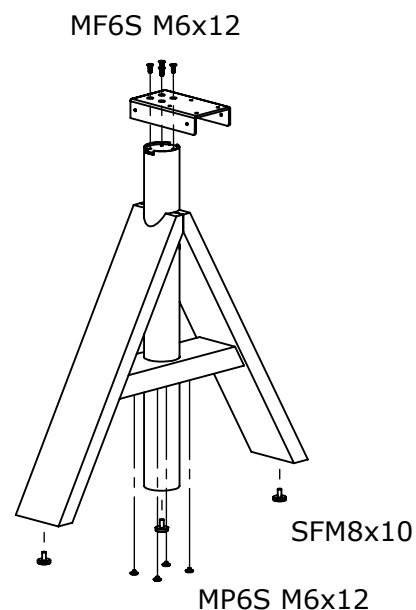
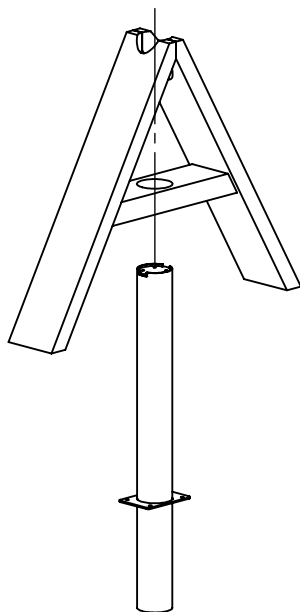
MONTERINGSBESKRIVNING ASSEMBLY INSTRUCTION



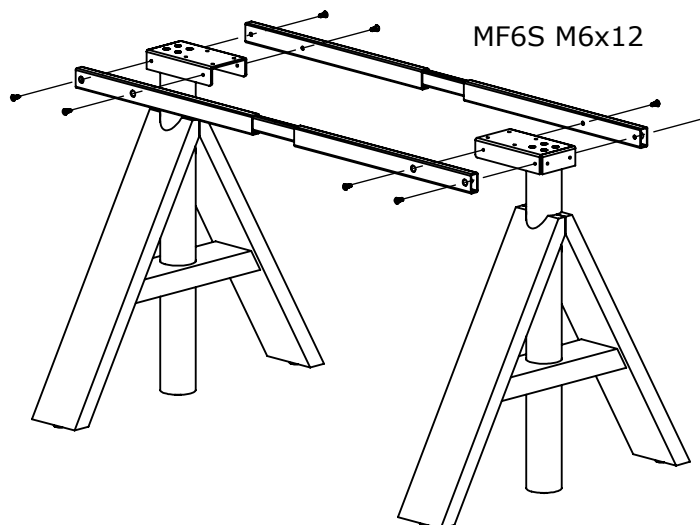
A-Frame STATIV 73CM ELLER 90CM A-Frame STAND 73CM OR 90CM

M500-1

-  MP6S M6x12. 8 pcs
-  MF6S M6x12. 20 pcs
-  STRX 5,0x17. 16 pcs
-  STRX 4,5x45. 6 pcs
-  Spacer 22x2 6 pcs
-  SFM8x10
Adjustable feet 6 pcs

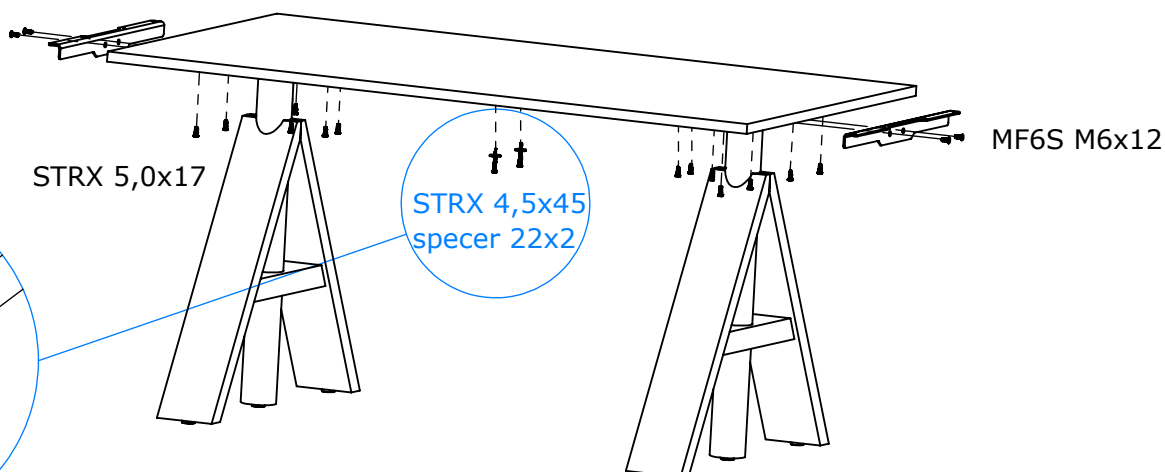


2

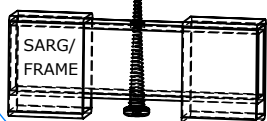


3

MF6S M6x12



BORD/TABLE



STRX 4,5x45
specer 22x2