
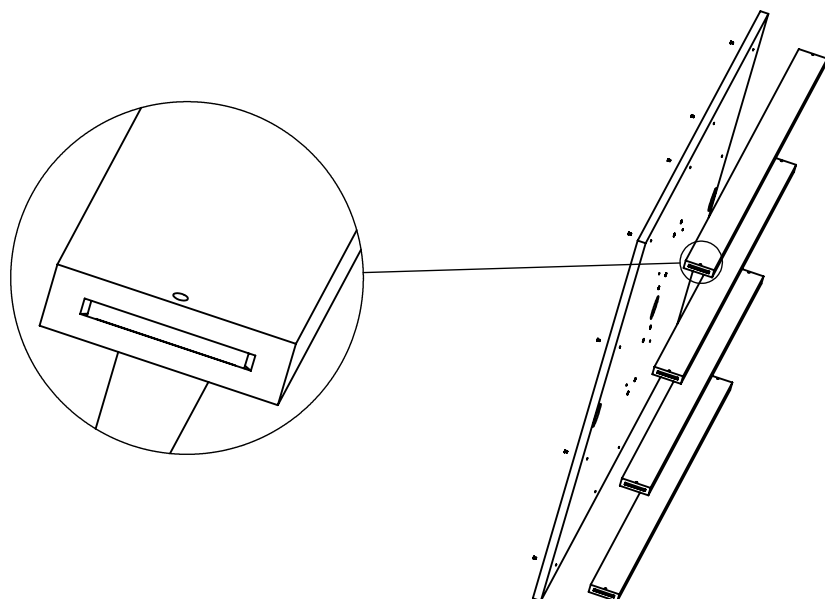





MUTE FLOOR X4

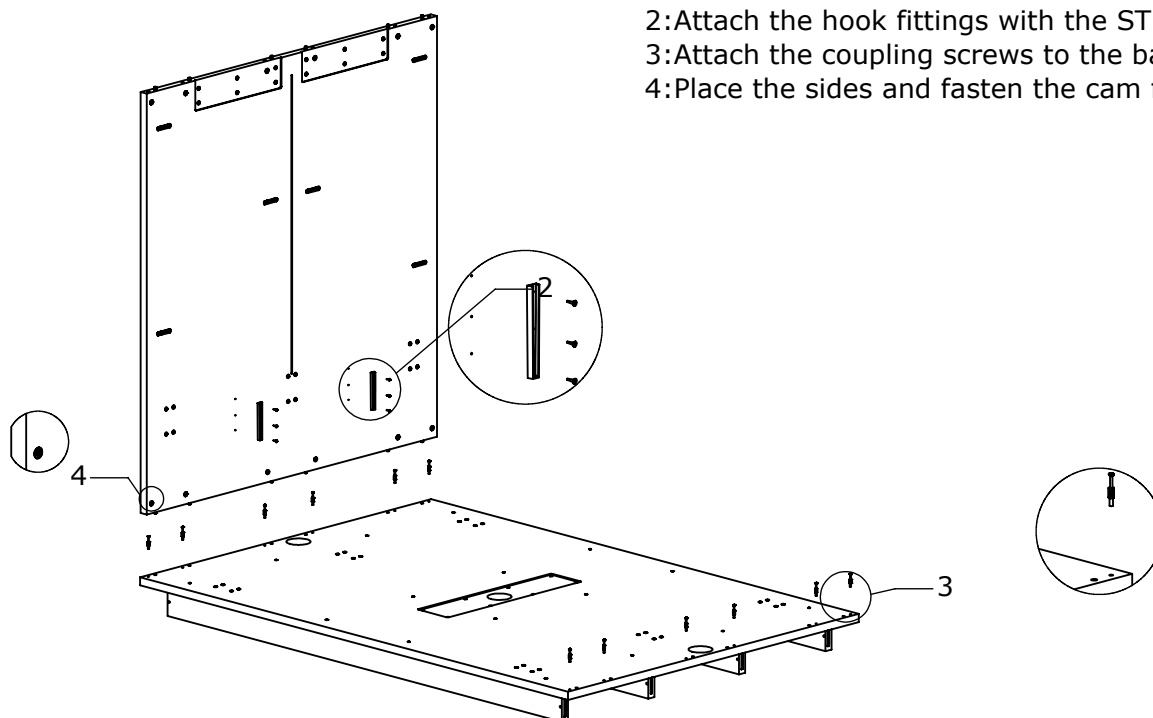
M480-1E

- 1  Confirmat bolt 16pcs
- Place the base on its side. Mount the frames with the Confirmat bolts.
N.B. The holes should be on the outer sides of the outer frames.



- 2  Hook fittings 4pcs
-  Couplings screws 12pcs
-  STFX 3,5x25 12pcs

- 1: Place the base on the floor.
- 2: Attach the hook fittings with the STFX 3,5x25 screws.
- 3: Attach the coupling screws to the base.
- 4: Place the sides and fasten the cam fittings.



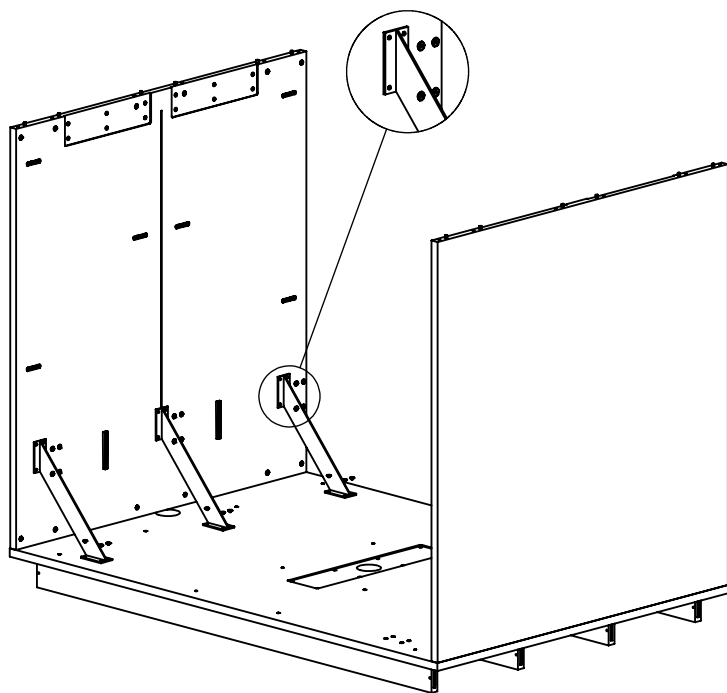
MUTE FLOOR X4

M480-1E

3

▮ P6S M6x15 48pcs

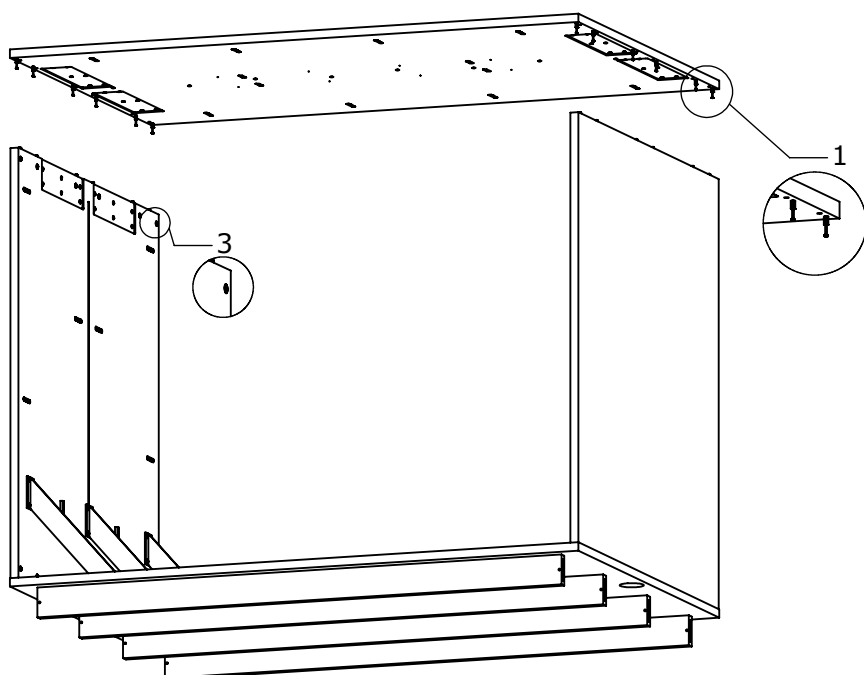
Place the support rods.
Place the screws in the bottom and side.
Fasten the screws.



4

▮ Couplings screws 12pcs

1: Attach the coupling screws.
2: Place the roof.
3: Fasten the cam fittings.



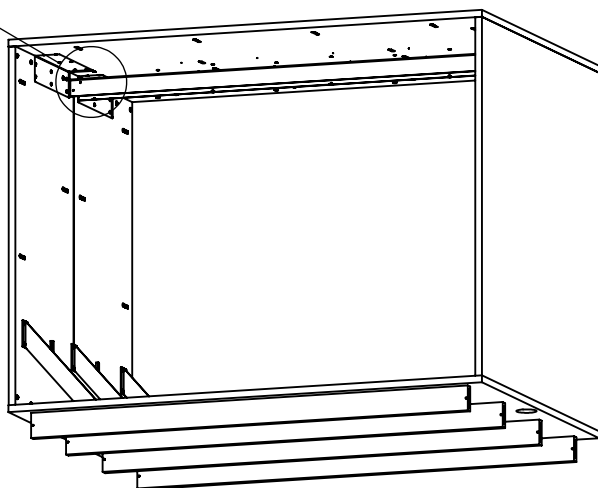
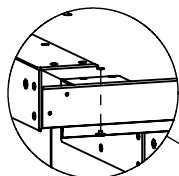
MUTE FLOOR X4

M480-1E

5

▬ P6S M6x15 8pcs

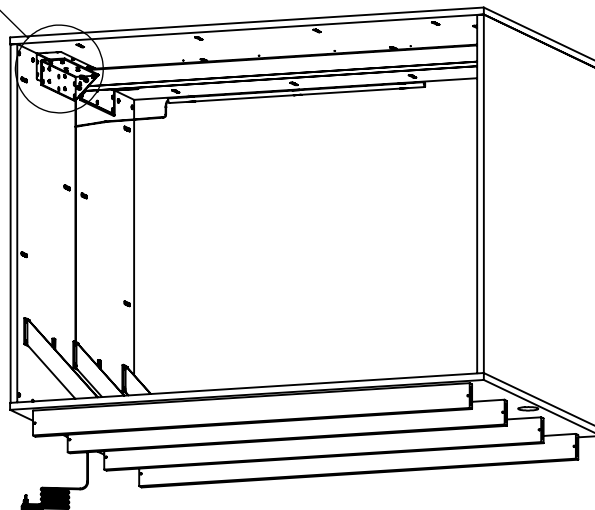
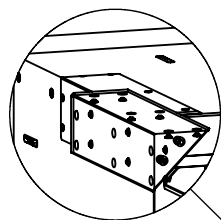
Fit the beam to the roof.
Place the screws.
Fasten the screws.



6

┆ F6S M6x16 56pcs

Place the fittings on the side and roof.
Place the screws, fasten the screws.
Push the lighting cable in to the groove on the side, approximately 45 cm of the cable should be outside the groove towards the roof.
Connect the cable with the transformer.



MUTE FLOOR X4

M480-1E

7

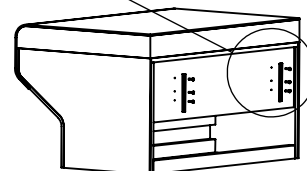
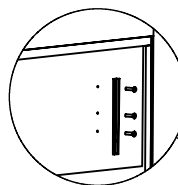
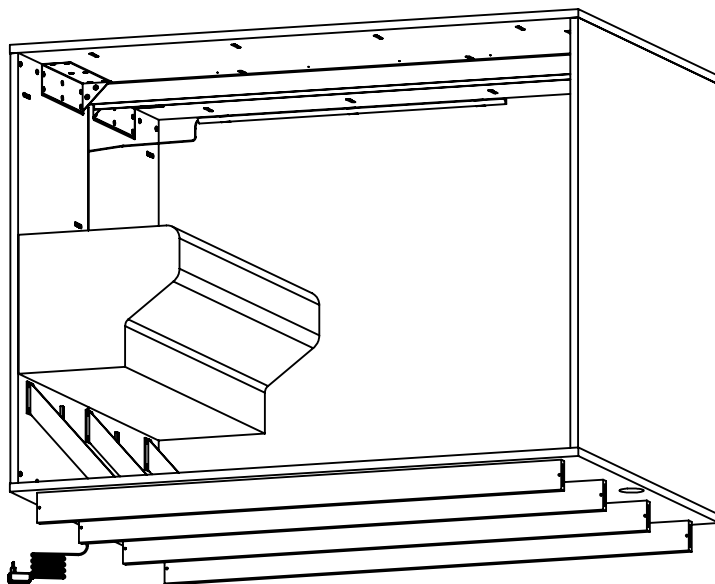


Hook fittings 4pcs



F6S M4x20 12pcs

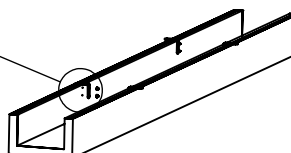
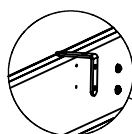
Attach the hook fittings on the seat with the F6S M4x20 screws.
Place the lighting cable centered on the side so it's behind the seat.
Hang the seat on the side.



8

• STRX 3,5x12 8pcs

Attach the brackets to the upholstered beam with the STRX 3,5x12 screws.
There are marked holes on the inside of the beam.



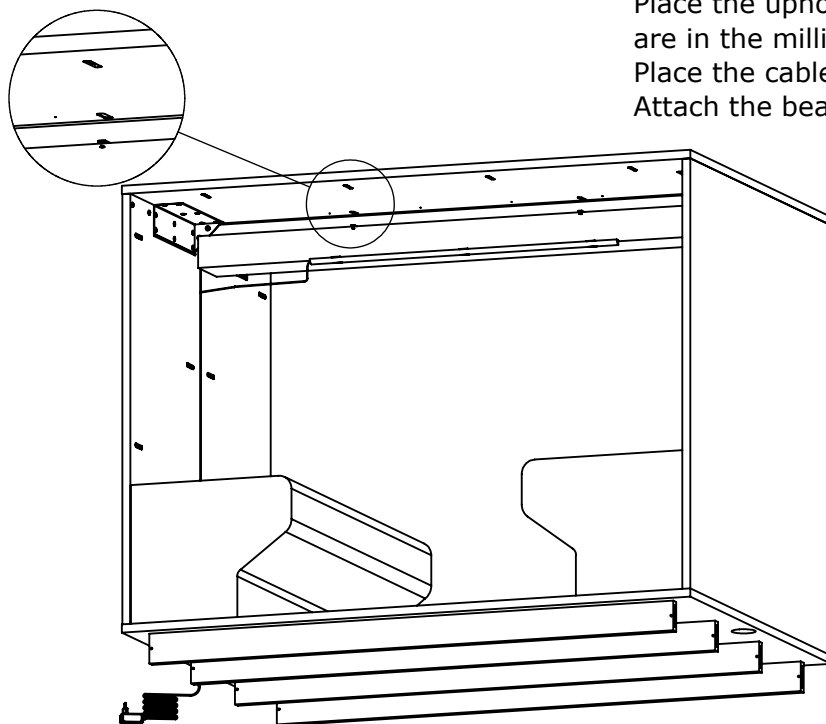
MUTE FLOOR X4

M480-1E

9

† STFX 3,5x15 4pcs

Place the upholstered beam so that the brackets are in the millings of the roof.
Place the cable between the roof and the beam.
Attach the beam with the STFX 3,5x15 screws.

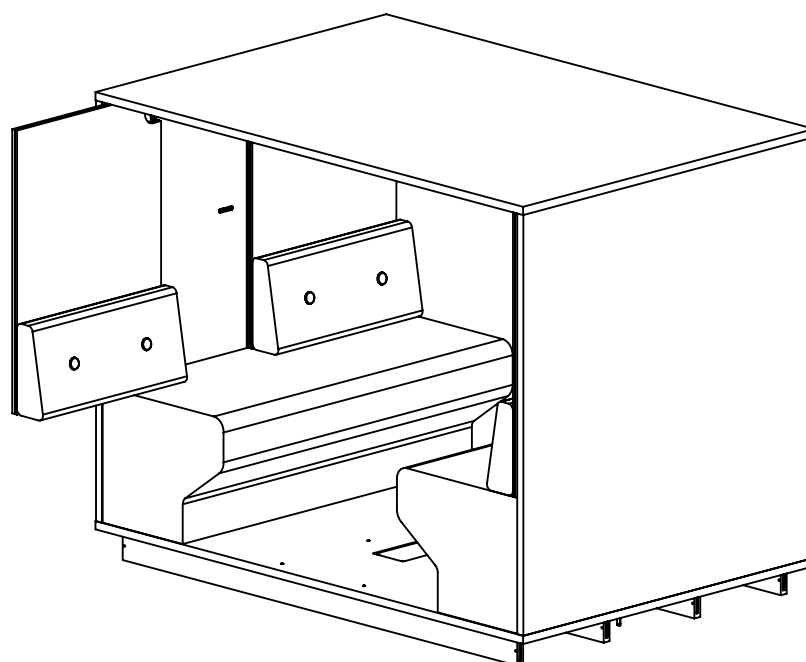
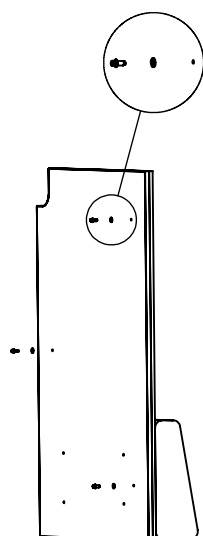


10

‡ Coupling screw 12pcs

⊕ Disc 12pcs

Install the discs and coupling screws to the clothed sides, 3 discs and screws / side.
Slide the sides on to the frame.



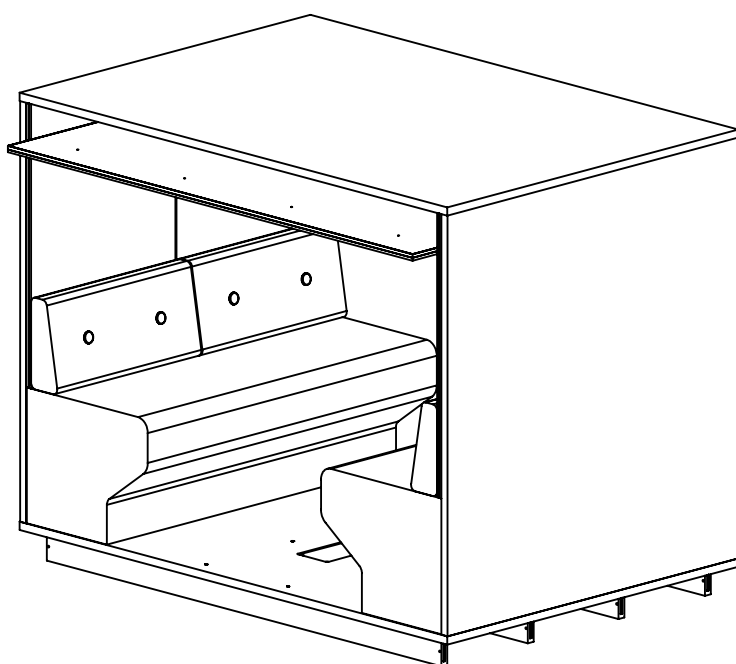
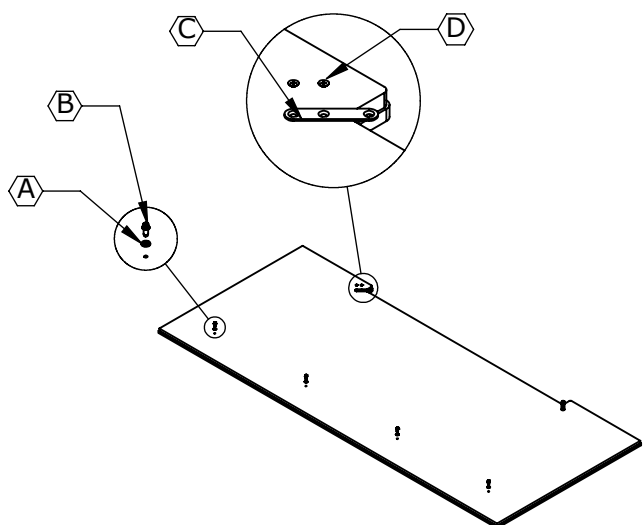
MUTE FLOOR X4

M480-1E

11

⊕ Disc 4 pcs † Coupling screw 4 pcs ⇐ Metal fitting 2 pcs † STFX 3,0x15 6 pcs

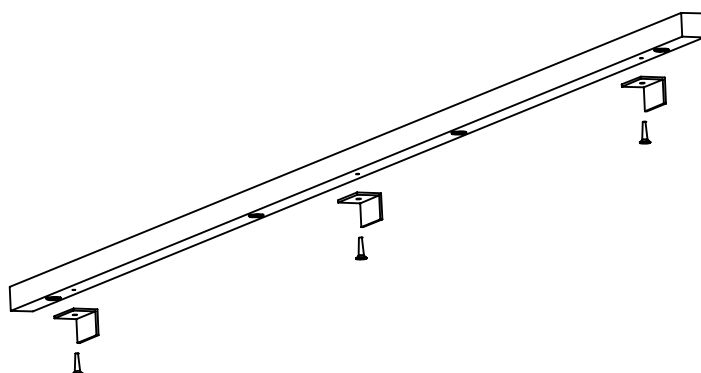
Install the discs and coupling screws to the upholstered roof, 4 pcs. Place the metal sheets approx 45 degrees in to the slot of the upholstered roof and attach with 2 3.0x15 screws. Slide the upholstered roof on to the roof of the frame and attach the third screw trough the metal sheet to the roof of the frame.



12

† STFX 3,5x15 6 pcs

Mount the clips to the strip.
Clips are included in the lighting box.

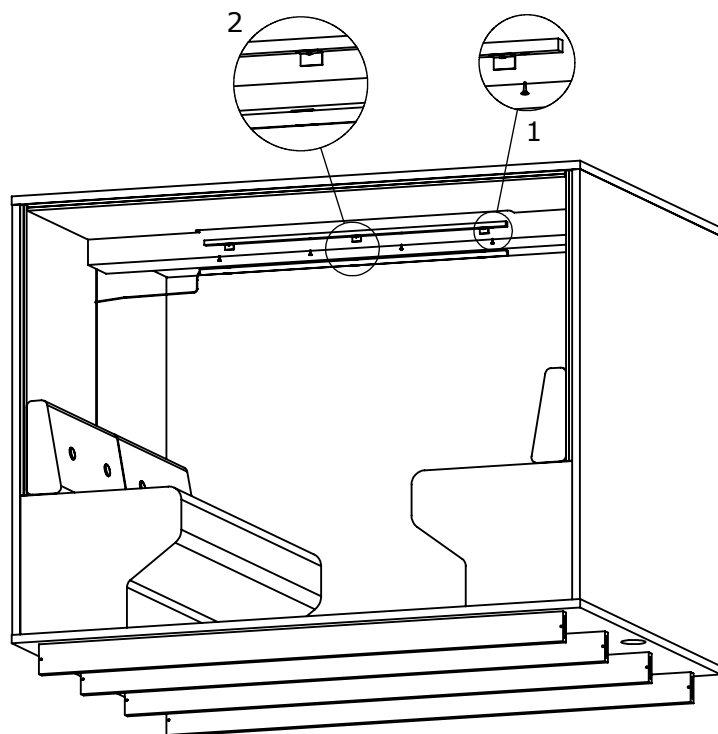


MUTE FLOOR X4

M480-1E

13

▮ STFX 4,5x25 8 pcs

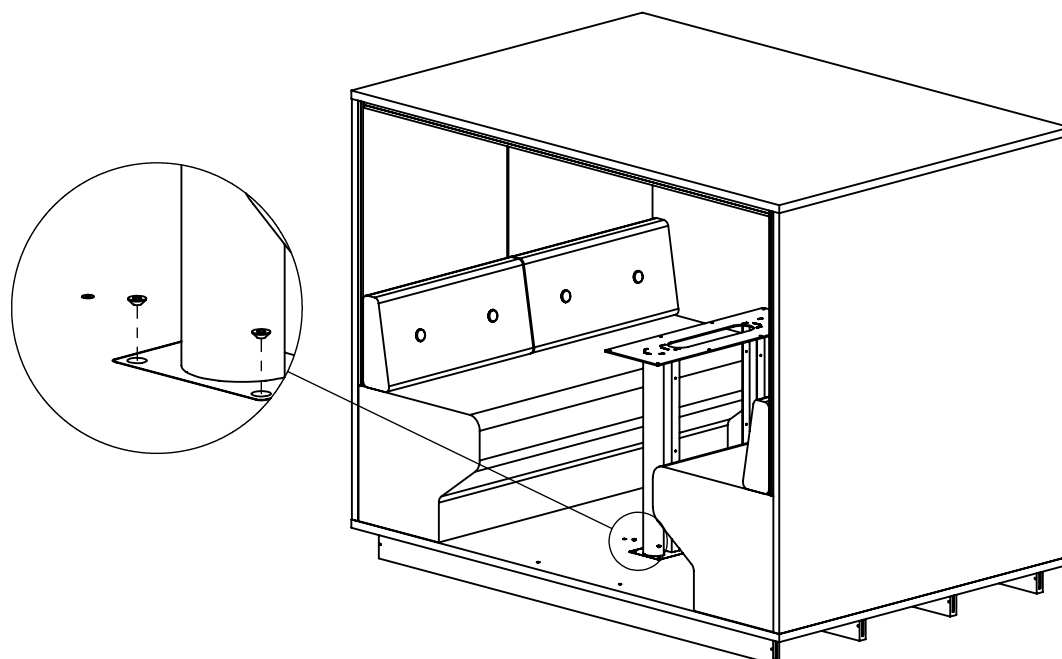


1: Attach the mdf strip to the roof with the STFX 4,5x35 screws.

2: Place the lighting strip in the clips.

14

▮ F6S M6x30 8pcs




Place the table stand in the millings of the floor, attach with F6S M6x30 screw.

MUTE FLOOR X4

M480-1E

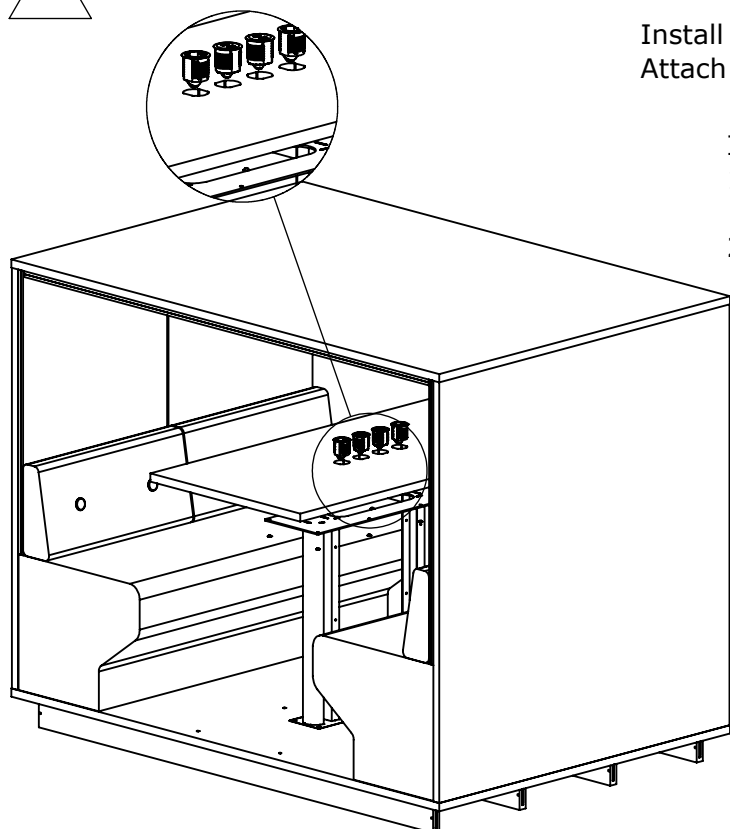
15

 F6S M6x16 8 pcs

Install the Powerdots to the table.
Attach the tabletop to the stand with the F6S M6x16 screws.

Instructions for the sockets.

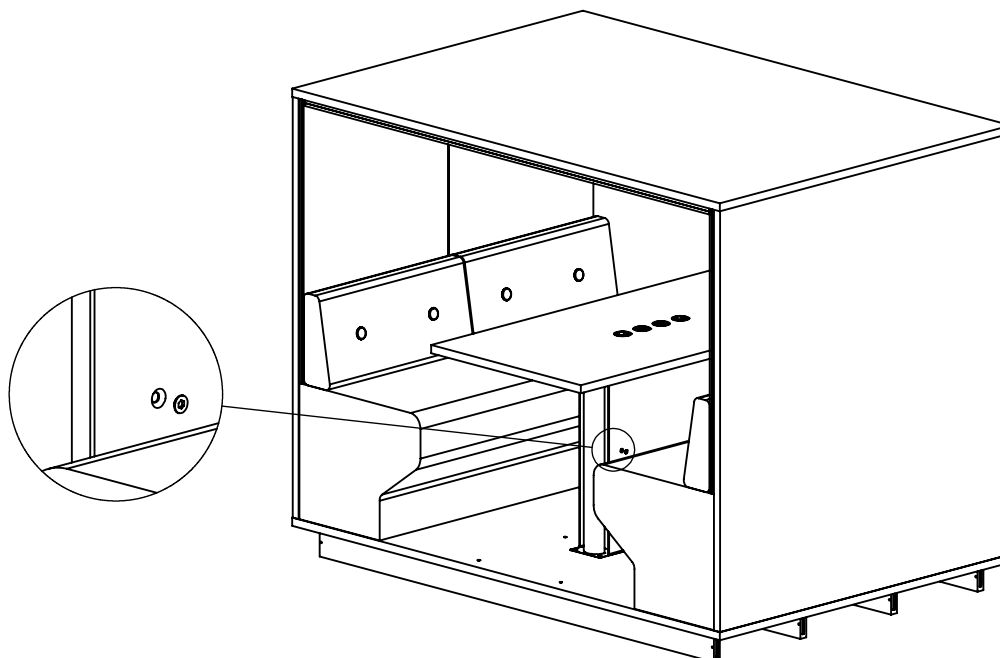
1. Insert the Powerdots thru the tabletop. Tighten against the tabletop with the plastic nut.
2. Connect the cables trough the hole in the bottom.



16

 F6S M6x16 8 pcs

Mount the covers to the table stand.



MUTE FLOOR X4

M480-1E

17

Attach the rims on the base and tighten the coupling connector with a hex key.

Apply tape to the table stand and paste carpet.
Tape the floor and paste carpet.

