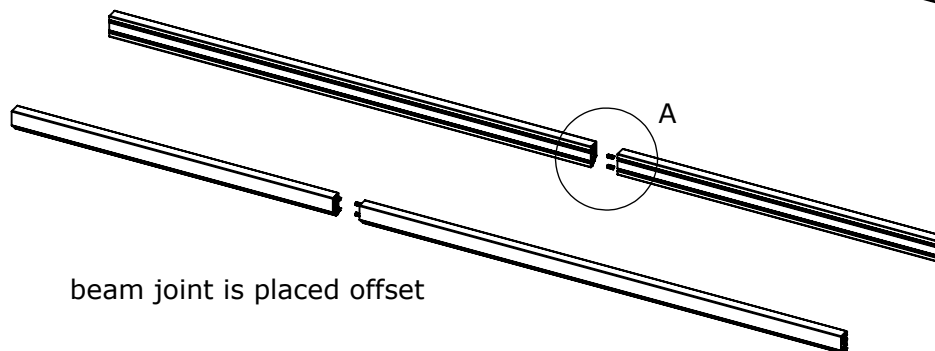
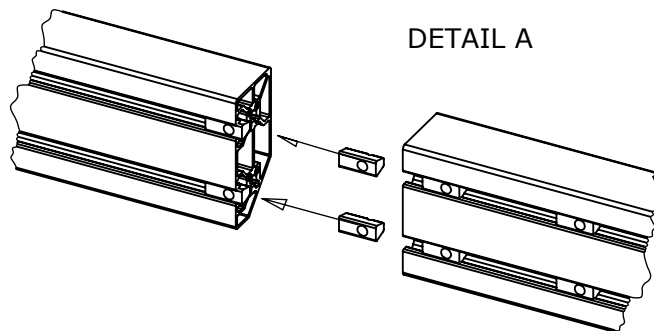


TIN CONFERENCE STAND

M507-1

1

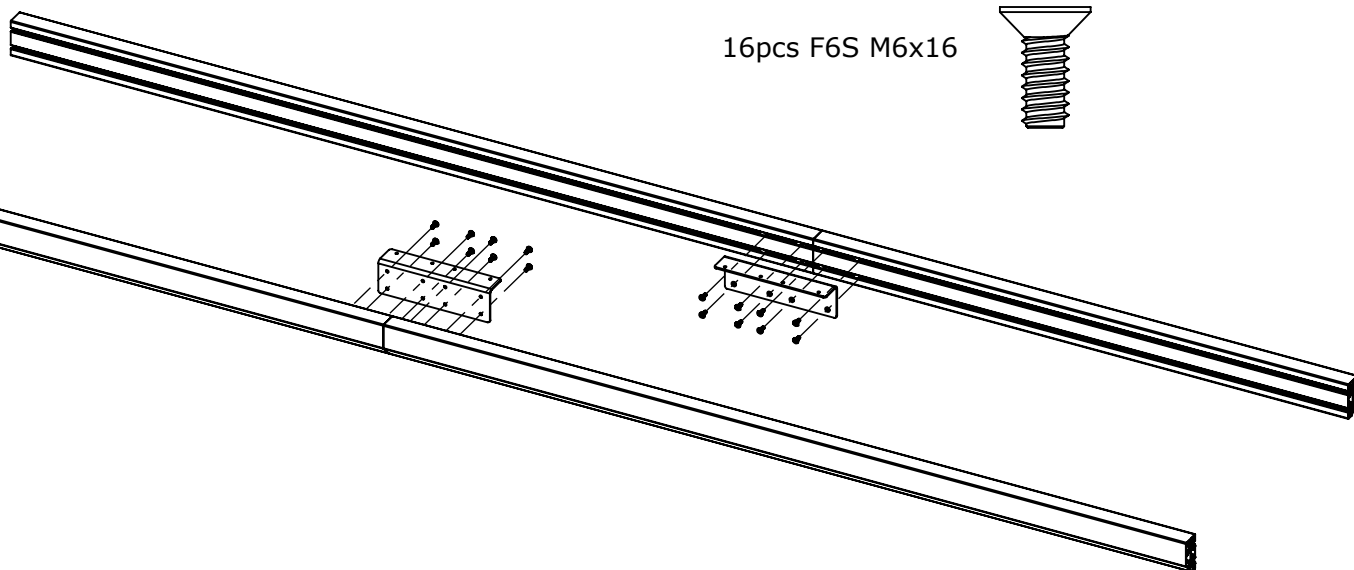
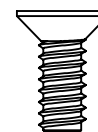
16pcs T-spårmutter (slotted nut)



beam joint is placed offset

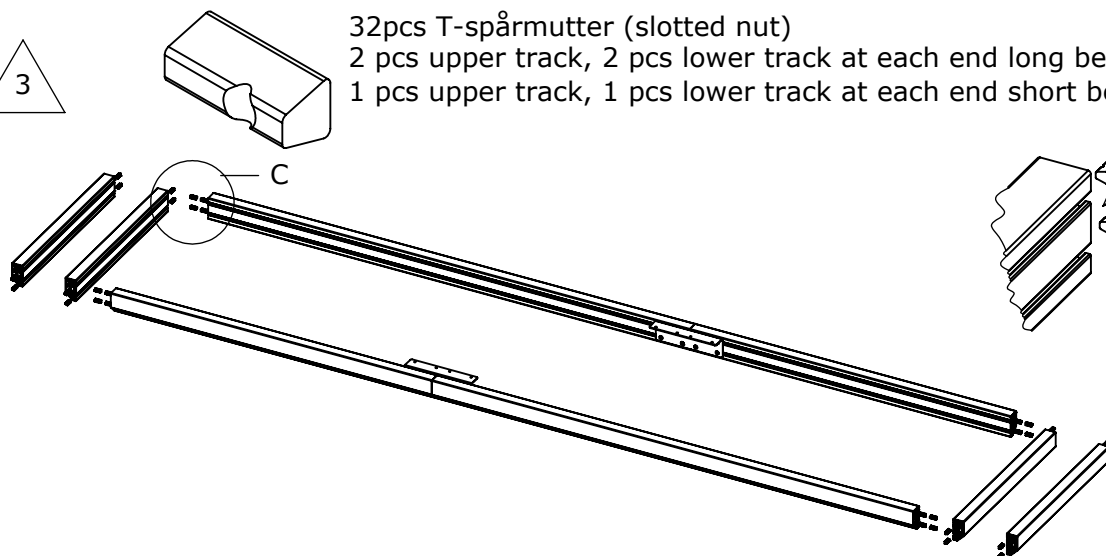
2

16pcs F6S M6x16



3

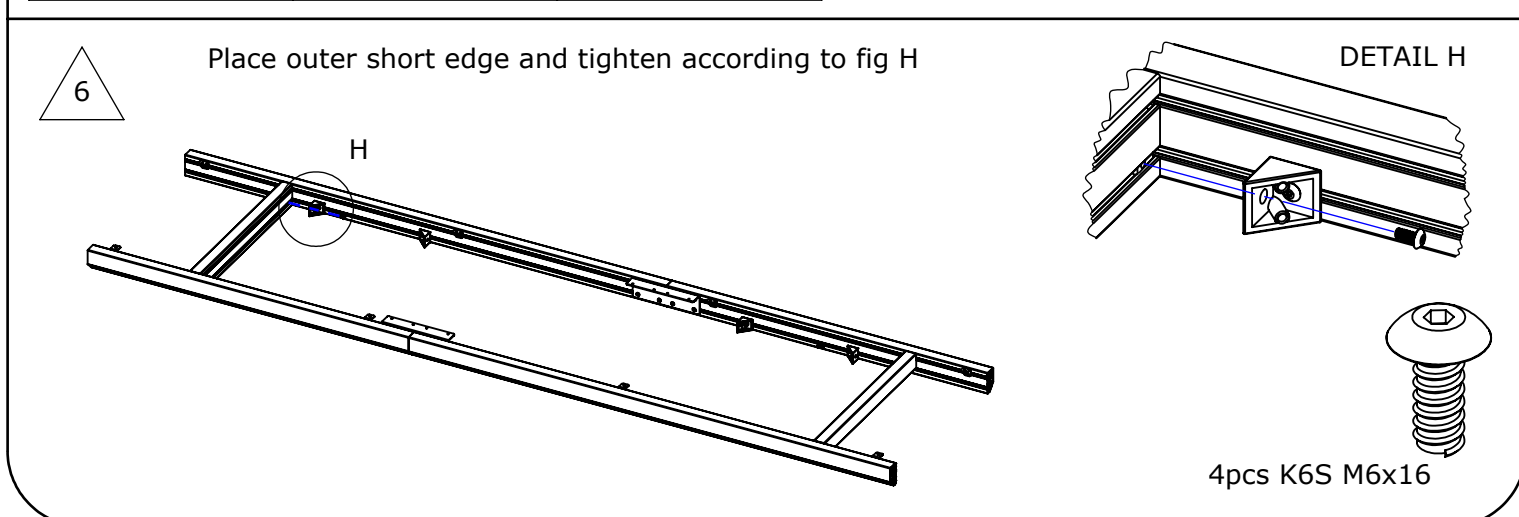
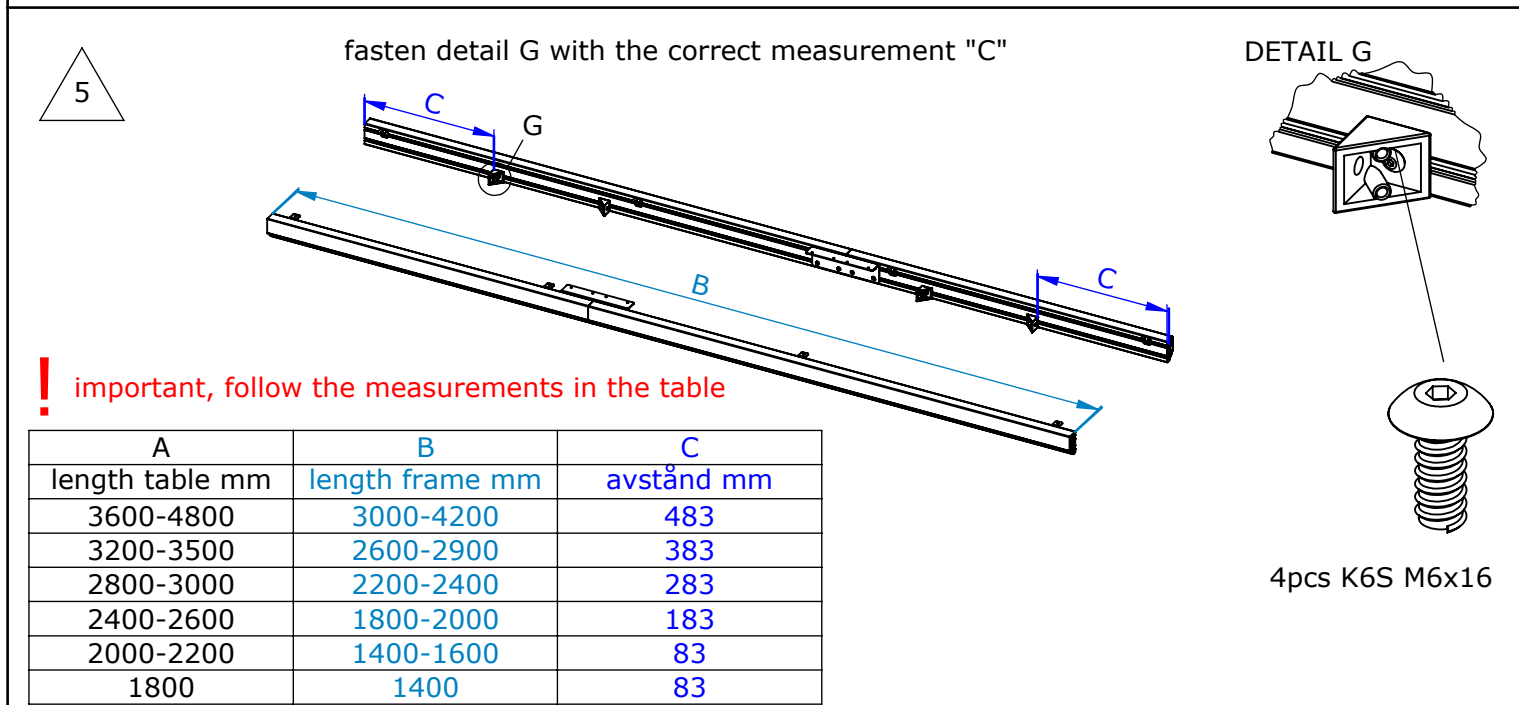
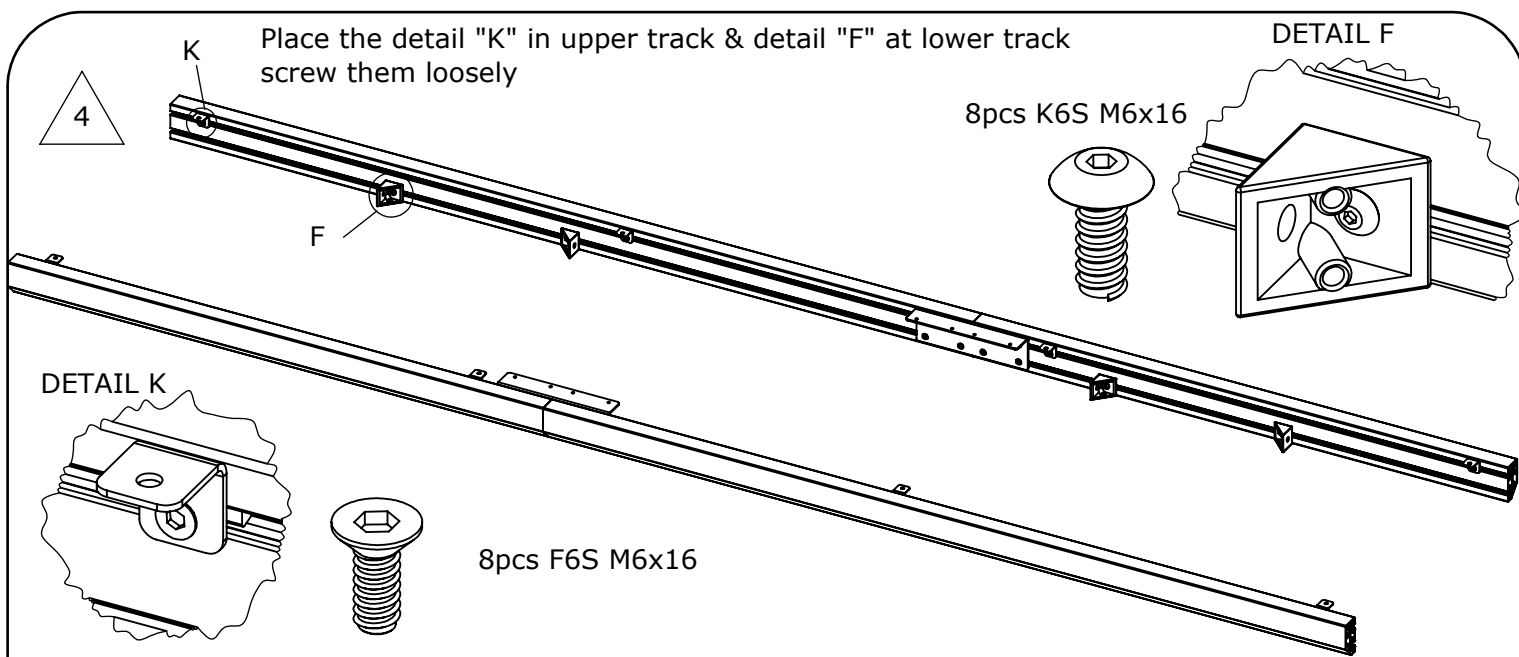
32pcs T-spårmutter (slotted nut)
2 pcs upper track, 2 pcs lower track at each end long beam
1 pcs upper track, 1 pcs lower track at each end short beam



DETAIL C

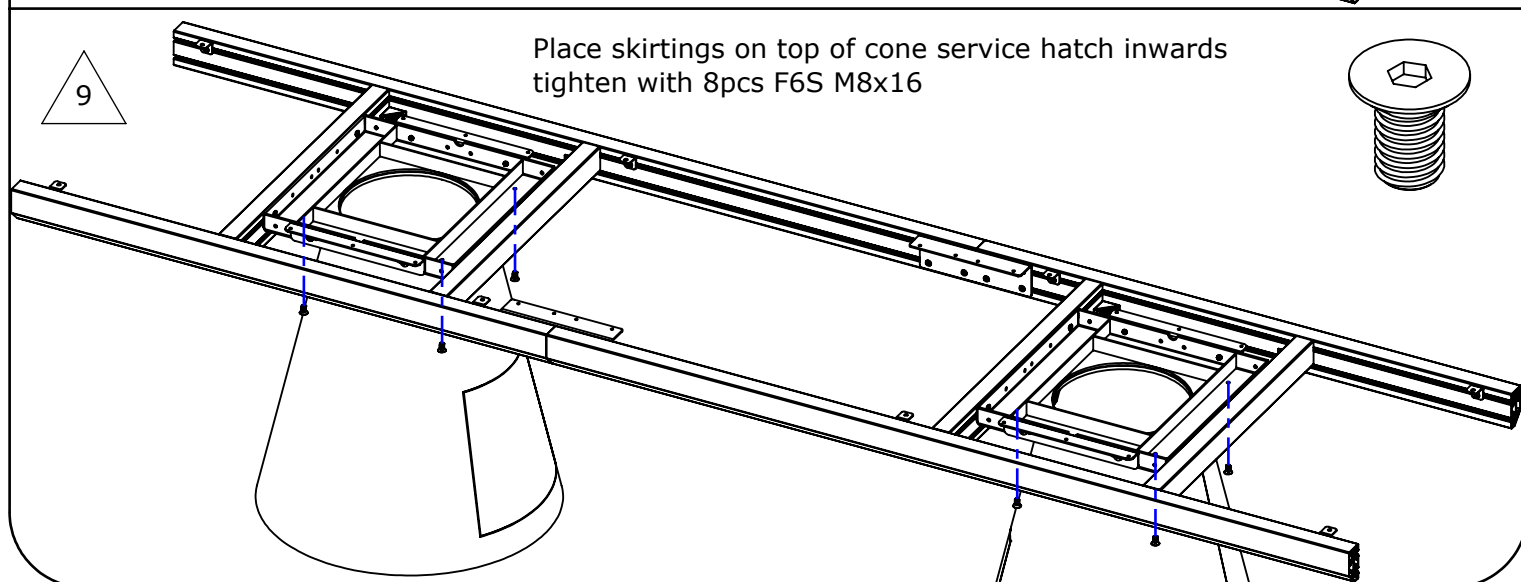
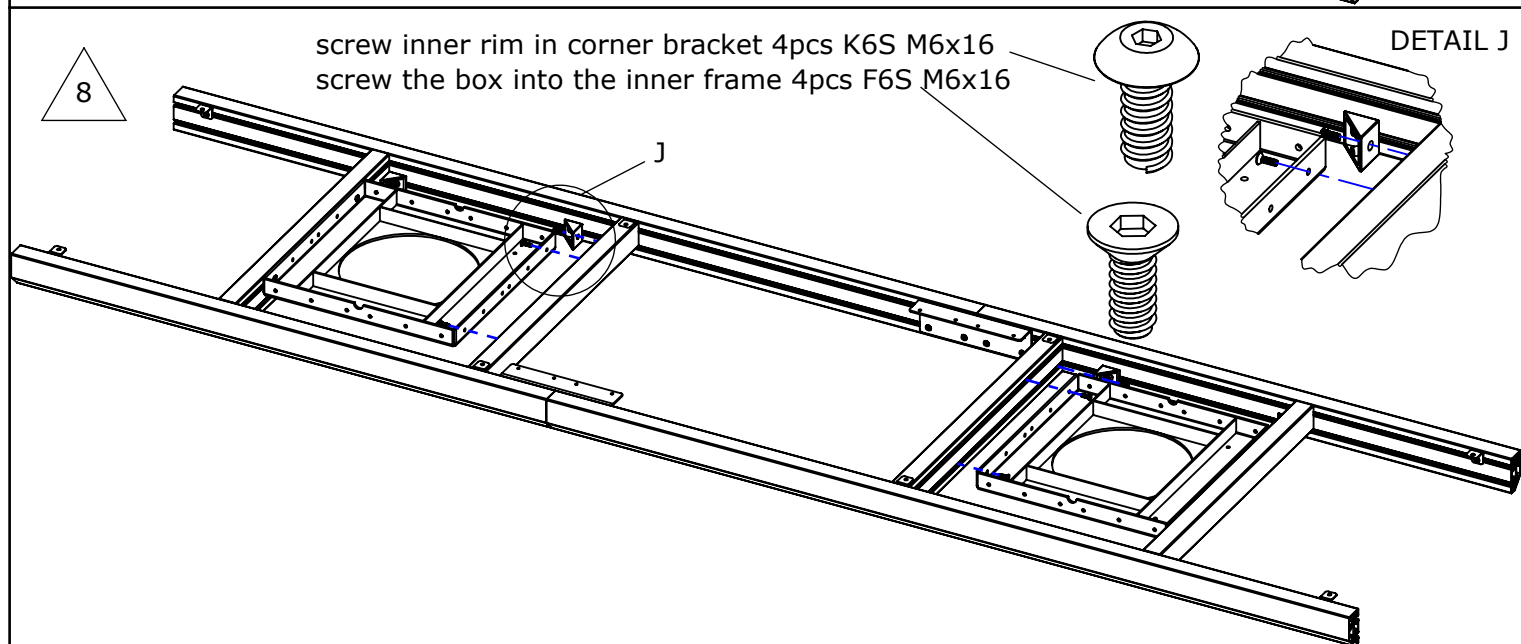
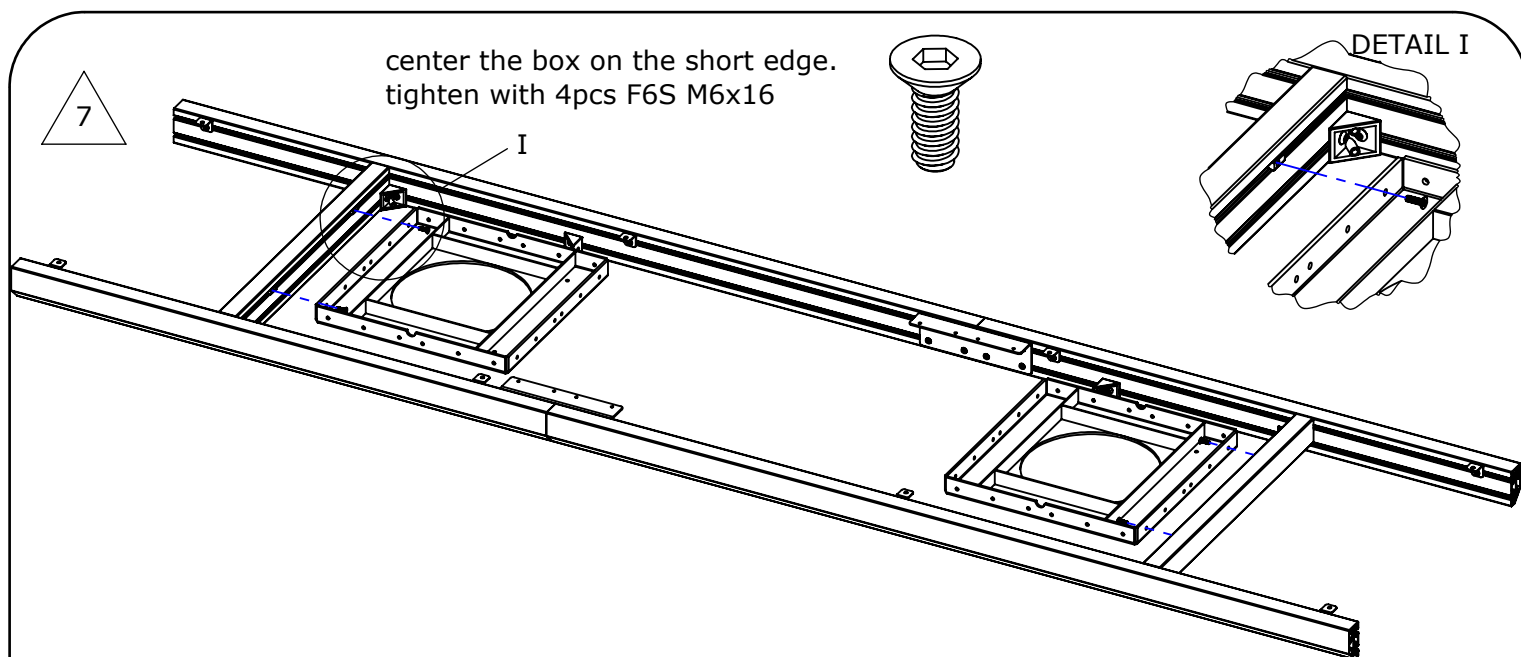
TIN CONFERENCE STAND

M507-1



TIN CONFERENCE STAND

M507-1

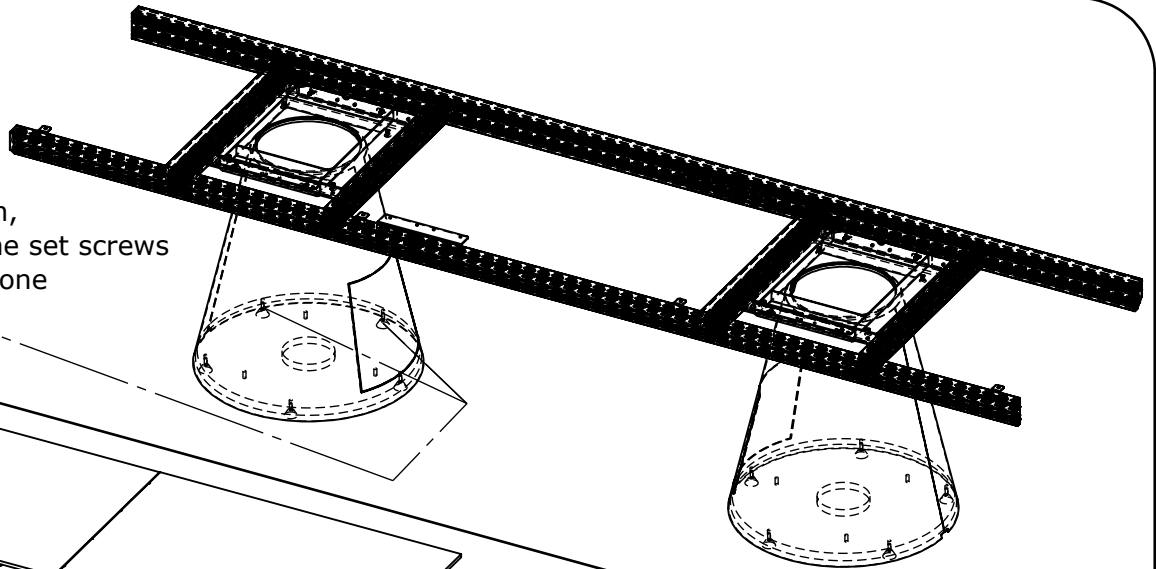


TIN CONFERENCE STAND

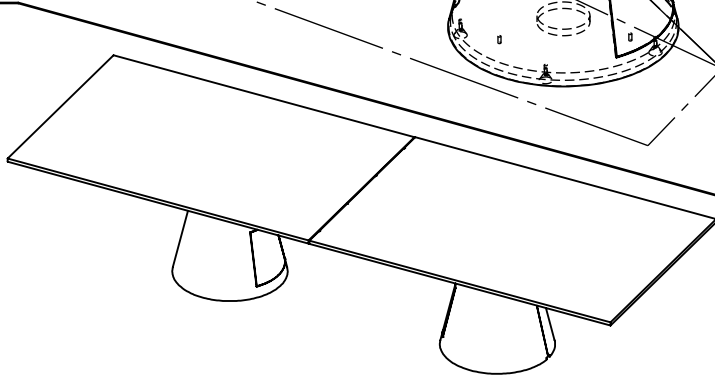
M507-1

10

open the service hatch,
adjust stability with the set screws
at the bottom of the cone



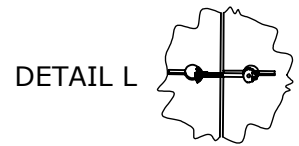
11



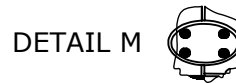
**!!! important STRX "5.0x17" "5.0x20"
must not be set incorrectly**

place the table tops on the base.

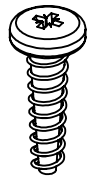
First pull the boards together with fittings "L" pull crosswise.



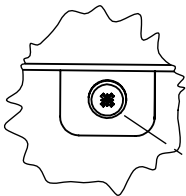
then mount the siso-fitted boards level.



center the discs on the stand pull the large angle plates with 20pcs STRX 5.0x20.



Finally, drag the small angles there with 8pcs STRX 5.0x17



DETAIL O

