

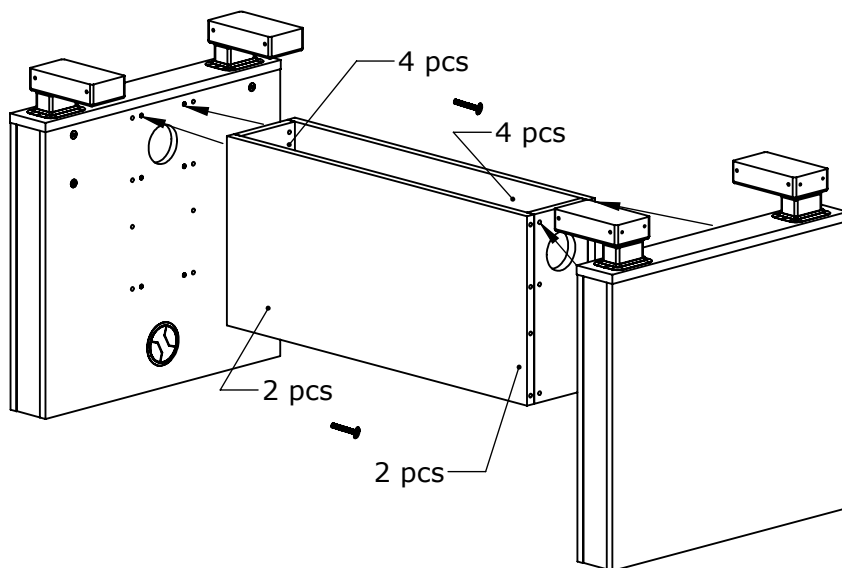
## NOMONO COMPACT

M512-1

1

1. Screw cable tray into gables
2. Pull the extension cord through the gable and place in cable tray.

1  12 pcs



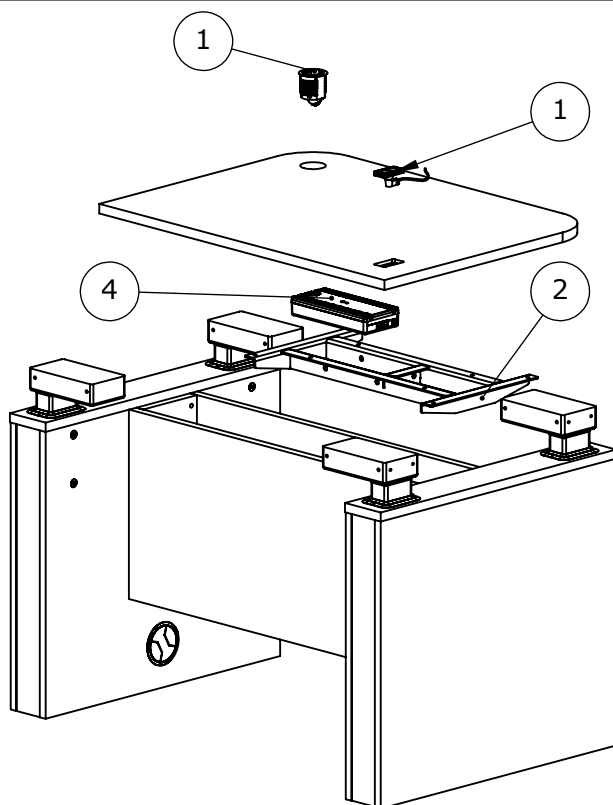
2

1. Attach desk panel and powerdot to table top.
2. Attach bracket to electric leg
3. Screw table top to bracket
4. Screw trafo to table top

2  6 pcs

3  8 pcs

4  1 pcs

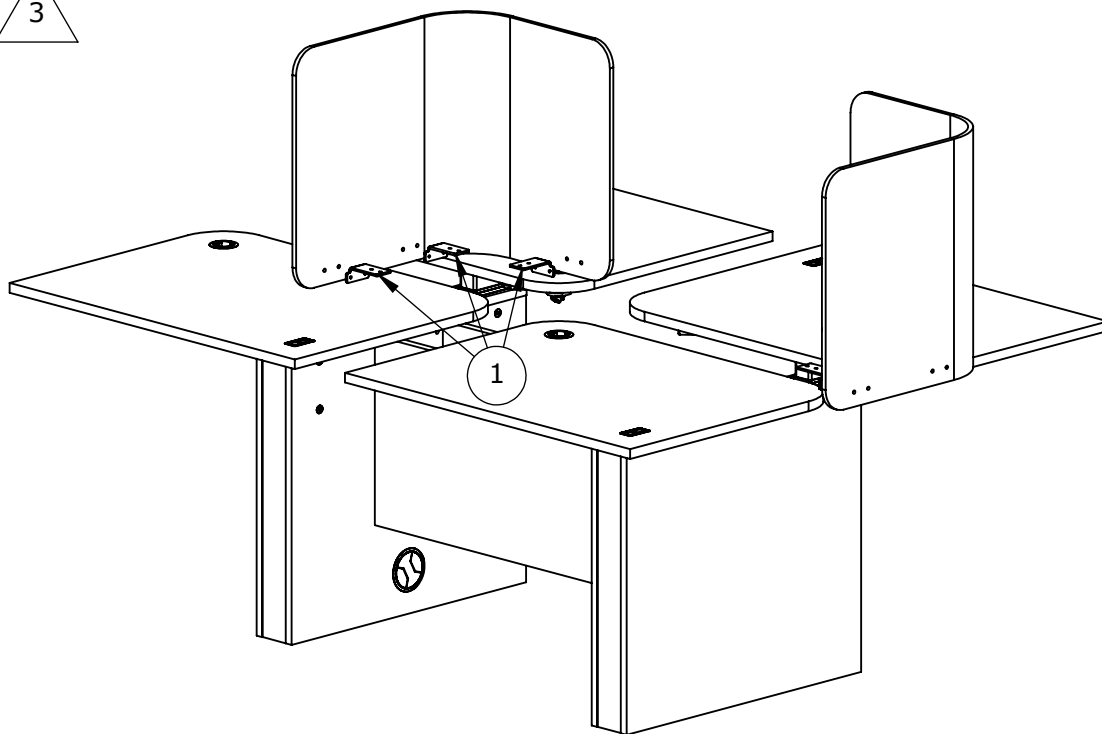


## NOMONO COMPACT

M512-1

3

1. Attach brackets to screen
2. Attach screen to tabletop



1    6 pcs

2    6 pcs

